

RT46 (B511)

RT46 (B511)

PARTS CATALOG

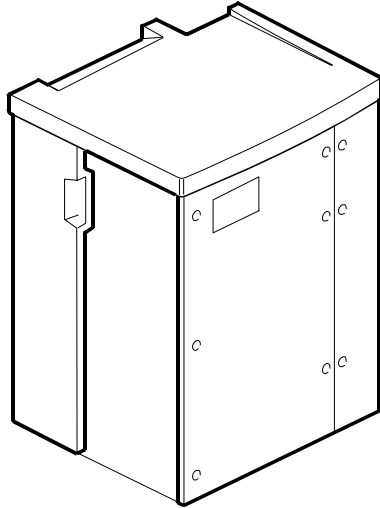
This catalog gives the numbers and names of parts on this machine.

LOCATION OF UNIT	2
1.EXTERIOR (B511)	6
2.4TH/5TH TRAY UNIT 1 (B511)	8
3.4TH/5TH TRAY UNIT 2 (B511)	10
4.6TH TRAY UNIT 1 (B511)	12
5.6TH TRAY UNIT 2 (B511)	14
6.PAPER REGISTRATION 1 (B511).....	16
7.PAPER REGISTRATION 2 (B511).....	18
8.TRANSPORT SECTION 1 (B511).....	20
9.TRANSPORT SECTION 2 (B511).....	22
10.TRANSPORT SECTION 3 (B511).....	24
11.DRIVE SECTION (B511)	26
12.ELECTRICAL SECTION (B511).....	28
13.FRAME 1 (B511)	30
14.FRAME 2 (B511)	32
15.DECALS AND DOCUMENTS (B511)	34
PARTS INDEX.....	39

January ,25 ' 2003

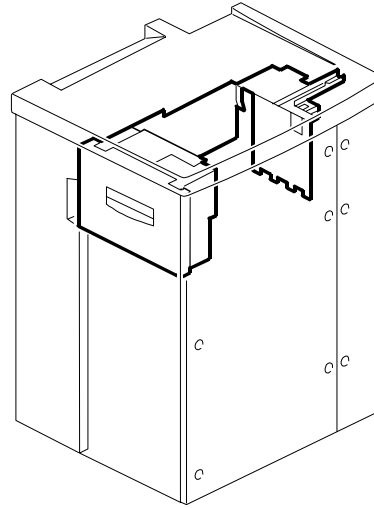
LOCATIONS OF UNITS

1. EXTERIOR (B511)



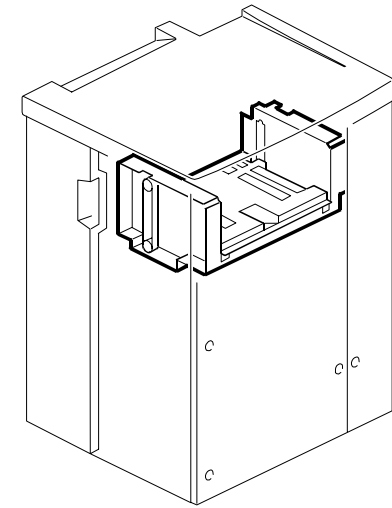
See Page 7

2. 4TH/5TH TRAY UNIT 1 (B511)



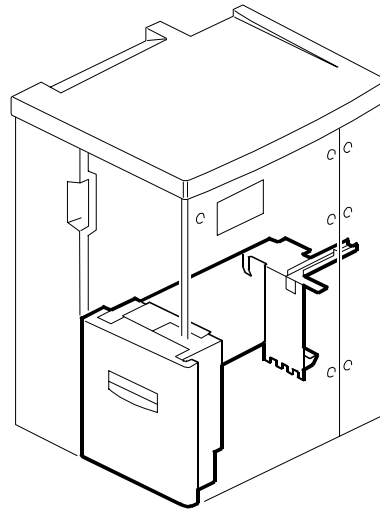
See Page 9

3. 4TH/5TH TRAY UNIT 2 (B511)



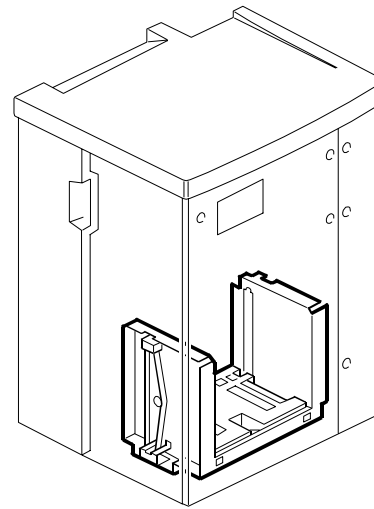
See Page 11

4. 6TH TRAY UNIT 1 (B511)



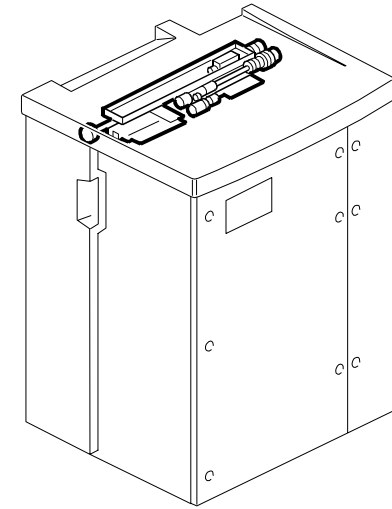
See Page 13

5. 6TH TRAY UNIT 2 (B511)



See Page 15

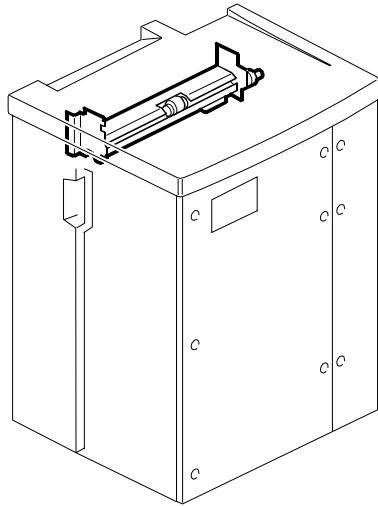
6. PAPER REGISTRATION 1 (B511)



See Page 17

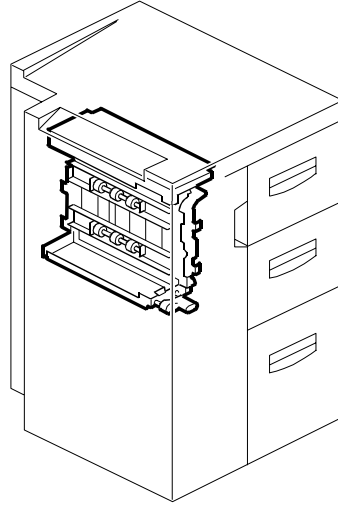
LOCATIONS OF UNITS

7. PAPER REGISTRATION 2 (B511)



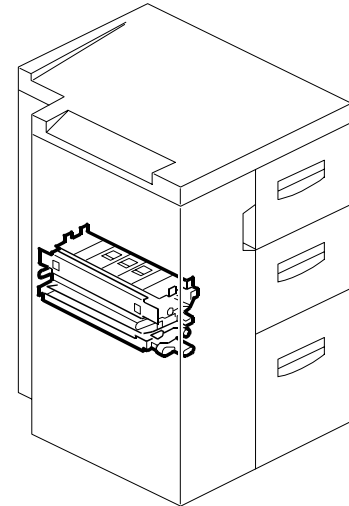
See Page 19

8. TRANSPORT SECTION 1 (B511)



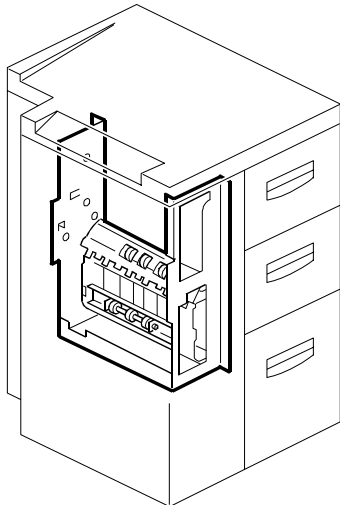
See Page 21

9. TRANSPORT SECTION 2 (B511)



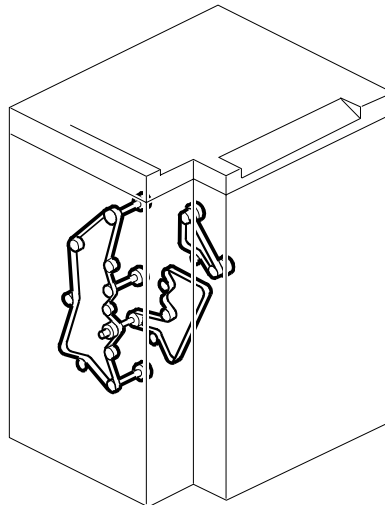
See Page 23

10. TRANSPORT SECTION 3 (B511)



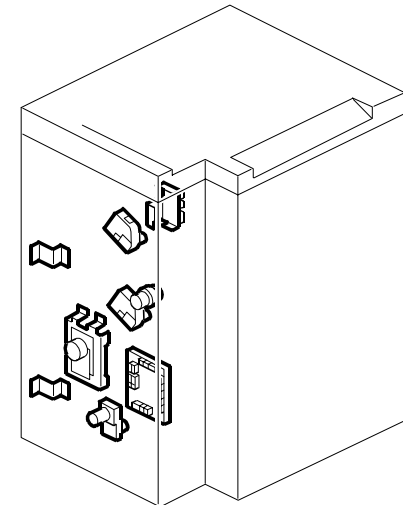
See Page 25

11. DRIVE SECTION (B511)



See Page 27

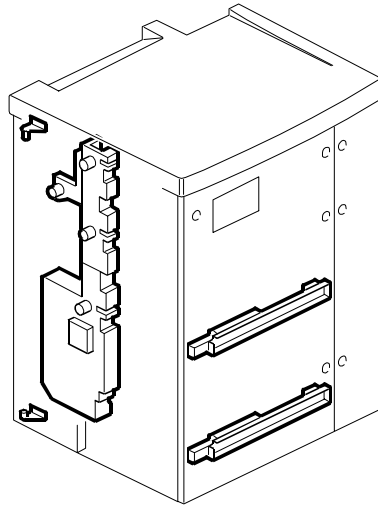
12. ELECTRICAL SECTION (B511)



See Page 29

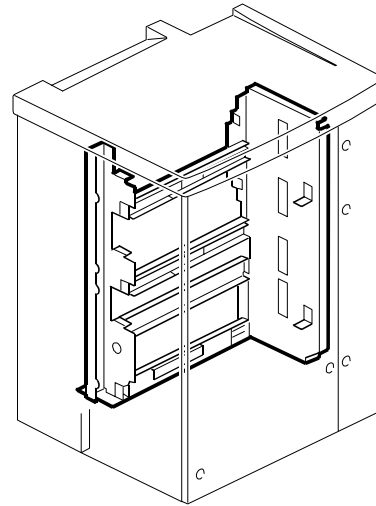
LOCATIONS OF UNITS

13. FRAME 1 (B511)



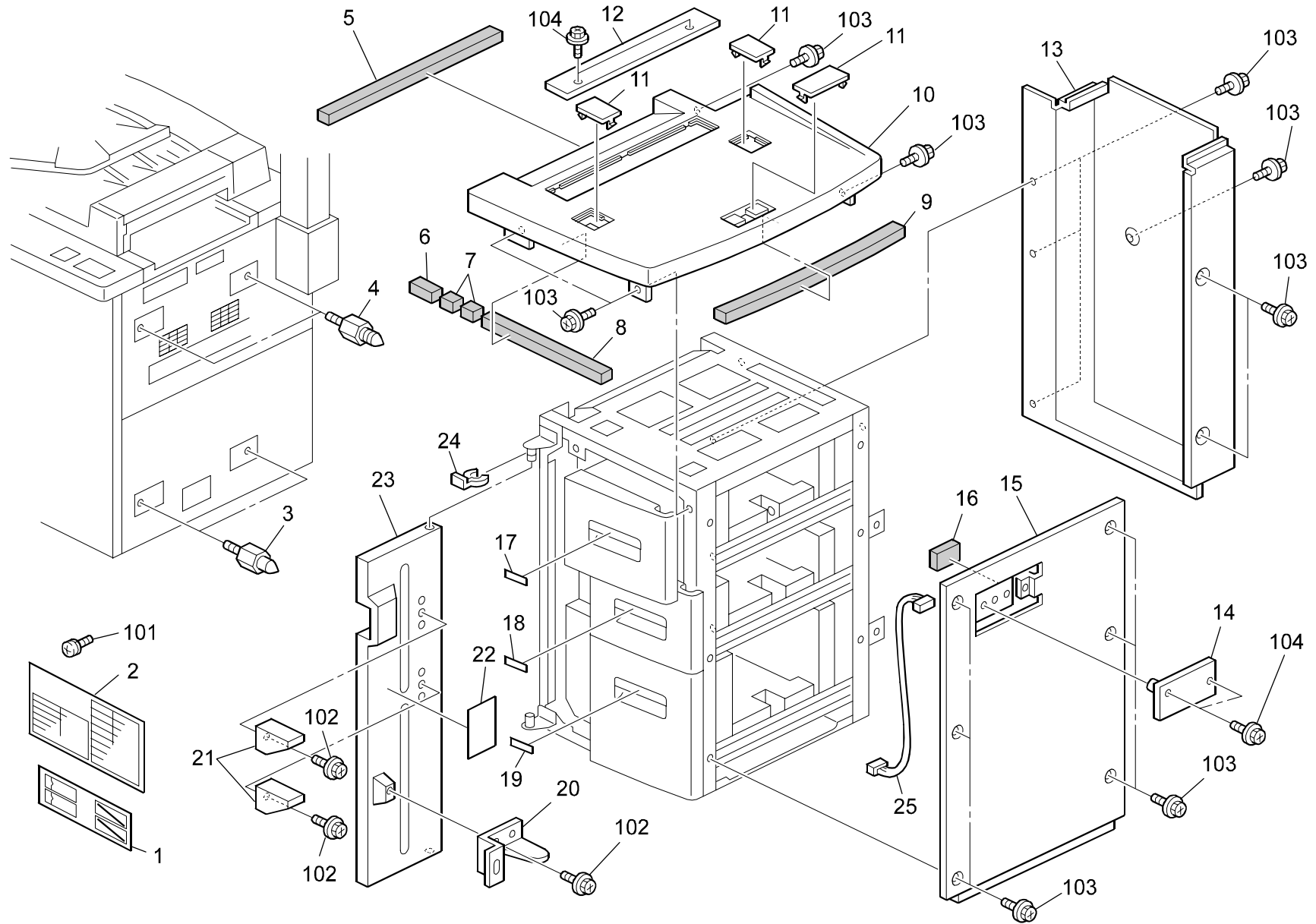
See Page 31

14. FRAME 2 (B511)



See Page 33

1.EXTERIOR (B511)

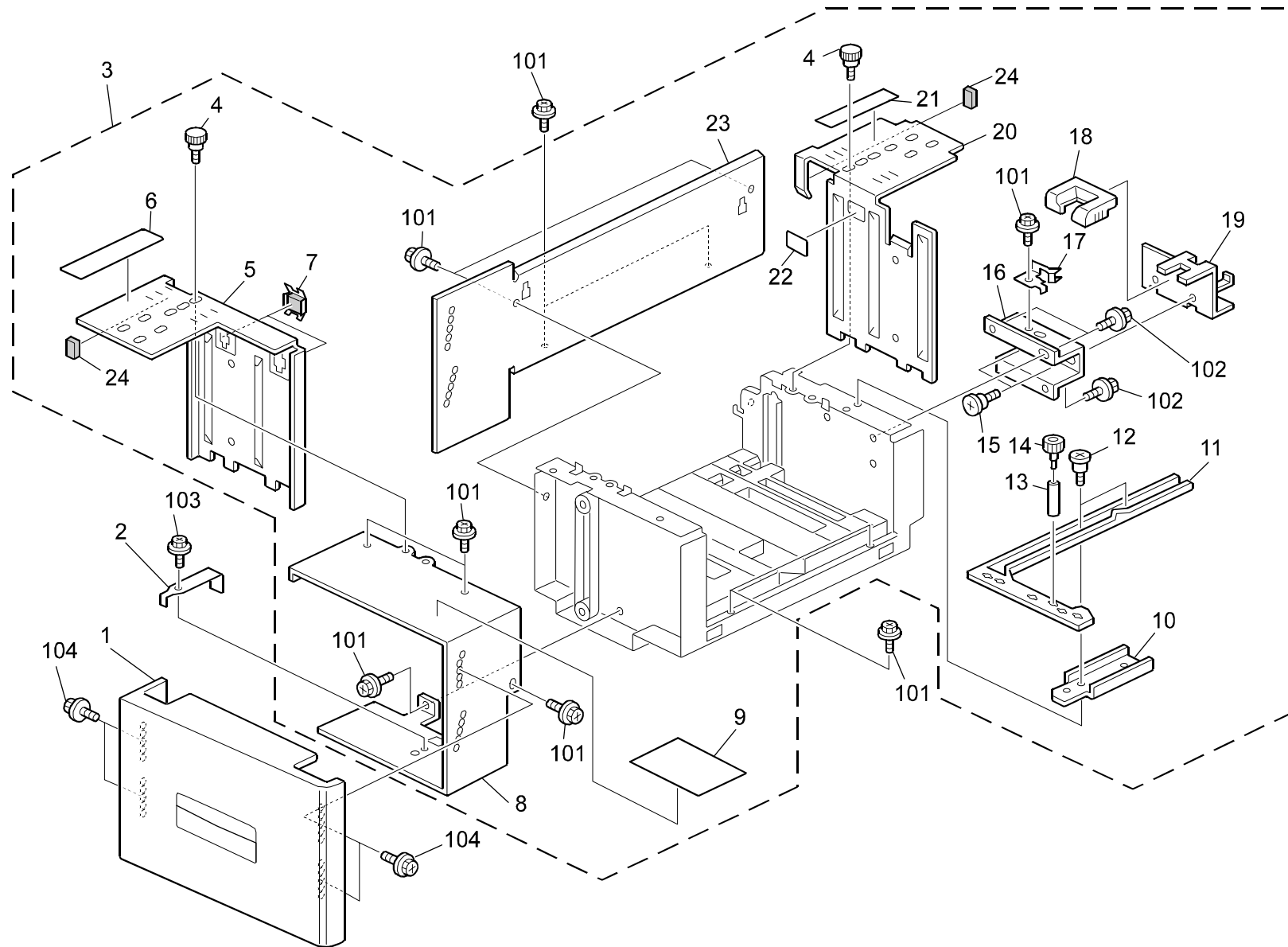


1.EXTERIOR (B511)

Index No.	Part No.	Description	Q'ty Per Assembly
1	B070 1307	Decal:Caution Chart:Paper Set Direction:C2	1
2	B511 1308	Decal:Paper:Size:Multi-language	1
3	B303 1101	Pin - 12x35	2
4	B303 1100	Pin - 14x33	2
5	B303 1371	Cushion - 10x595	1
6	B303 1374	Cushion - 15x50	1
7	B303 1376	Cushion - 15x30	2
8	B303 1373	Cushion - 15x372	1
9	B303 1372	Cushion - 15x700	1
10	B511 1370	Cover:Upper	1
11	B024 1365	Cap - 38x77	3
12	B511 1378	Cover:Cover:Upper	1
13	B511 1375	Cover:Rear	1
14	B511 1386	Cover:Right:Key Counter	1
15	B511 1385	Cover:Right	1
16	B303 2729	Cushion - 30x38	1
17	B511 1312	Decal:Paper Tray:Display:4	1
18	B511 1313	Decal:Paper Tray:Display:5	1
19	B511 1314	Decal:Paper Tray:Display:6	1
20	B303 1361	Magnet Catch	1
21	A606 1595	Small Door Cover	2
22	B511 1309	Decal:Misfeed Removal	1
23	B511 1360	Cover:Left	1
24	5447 2681	Snap Ring	1
25	B303 5325	Key Counter Harness	1

Index No.	Part No.	Description	Q'ty Per Assembly
101	0801 0150	Philips Screw - M4x8	
102	0450 4008B	Tapping Screw - 4x8	
103	0451 4008H	Tapping Screw - 4x8	
104	0451 4012H	Tapping Screw - 4x12	

2.4TH/5TH TRAY UNIT 1 (B511)

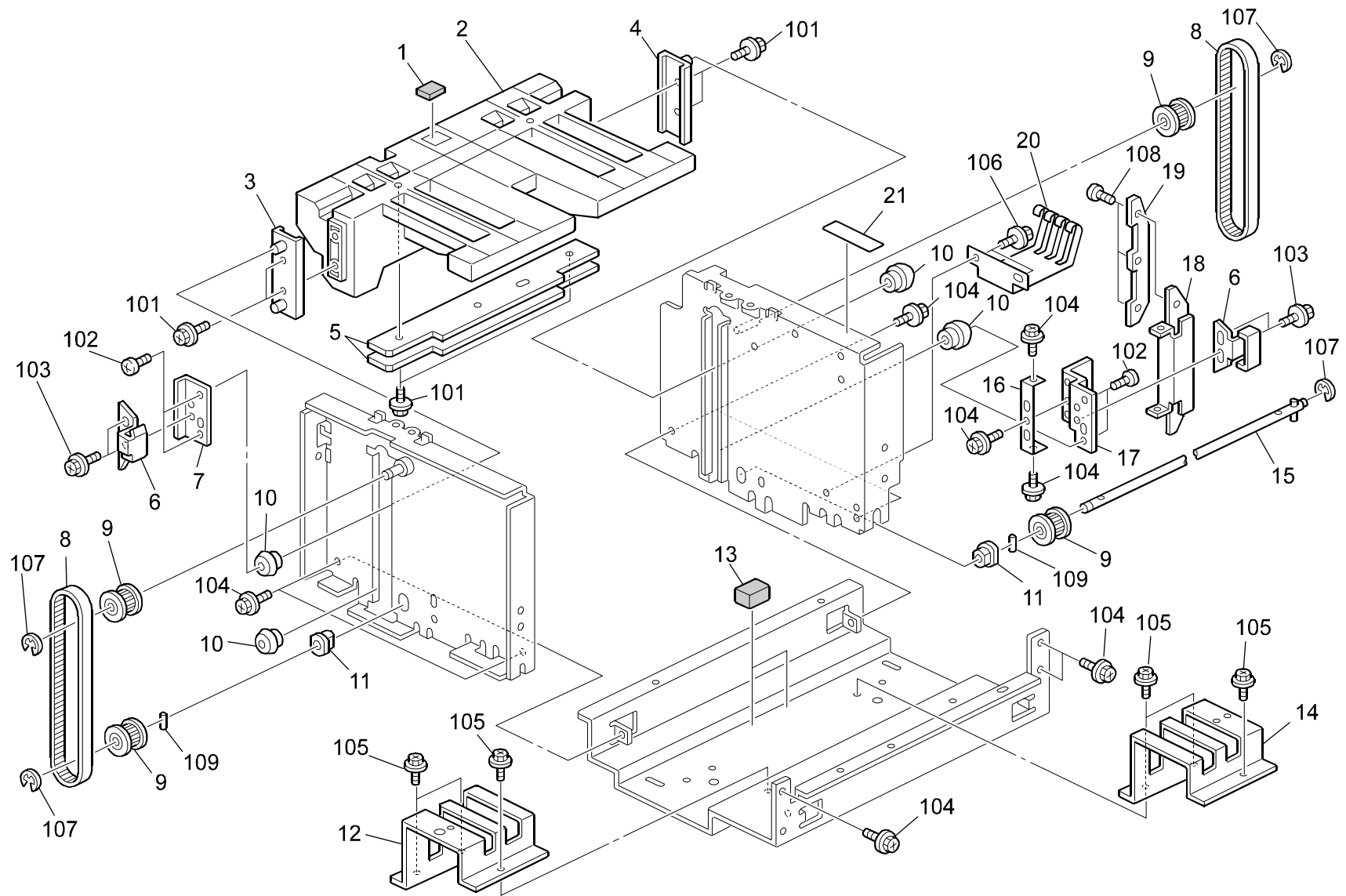


2.4TH/5TH TRAY UNIT 1 (B511)

Index No.	Part No.	Description	Q'ty Per Assembly
1	B511 1380	Cover:Tray:S	1
2	B511 2895	Stopper:End Fence:No.4	1
2	B511 2896	Stopper:End Fence:No.5	1
3	B511 2801	Paper Tray:No.1,2:NA:Ass'y (LT)	1
3	B511 2800	Paper Tray:No.1,2:Ass'y (A4)	1
4	B303 2877	Knob Screw	2
5	B303 2871	Side Fence:Front:No.1,2:Ass'y	1
6	B303 1304	Decal - Paper Position	1
7	B303 2777	Paper Guide Mylar	2
8	B511 2822	Upper Cover	1
9	B511 1302	Decal:Paper:Supply:4-5	1
10	B511 2783	Guide Fence Bracket	1
11	B511 2660	Slider:End Fence	1
12	AA14 3074	Stepped Screw - M4x5	2
13	B511 2788	Silicone Tube:End Fence	1
14	B511 2787	Knob Screw:End Fence:Press Fit	1
15	A499 1378	Stepped Screw - M4x6	2
16	B511 2886	Sensor Bracket	1
17	B303 2898	Spring Plate	1
18	B303 2888	Paper Size Lever	1
19	B511 2897	Paper Size Actuator	1
20	B511 2875	Side Fence:Rear:No.1,2:Ass'y	1
21	B303 1305	Decal - Paper Position	1
22	B511 2674	Decal:Display:Paper Volume	1
23	B511 2821	Front Guide Plate	1
24	B303 2645	Noise Absorber Seal - 16.5x4.2x3	2

Index No.	Part No.	Description	Q'ty Per Assembly
101	0451 4008B	Philips Tapping Screw - M4x8	
102	0802 5281	Tapping Screw - M4x6	
103	0802 5282	Tapping Screw - M4x8	
104	0451 4008H	Tapping Screw - 4x8	

3.4TH/5TH TRAY UNIT 2 (B511)

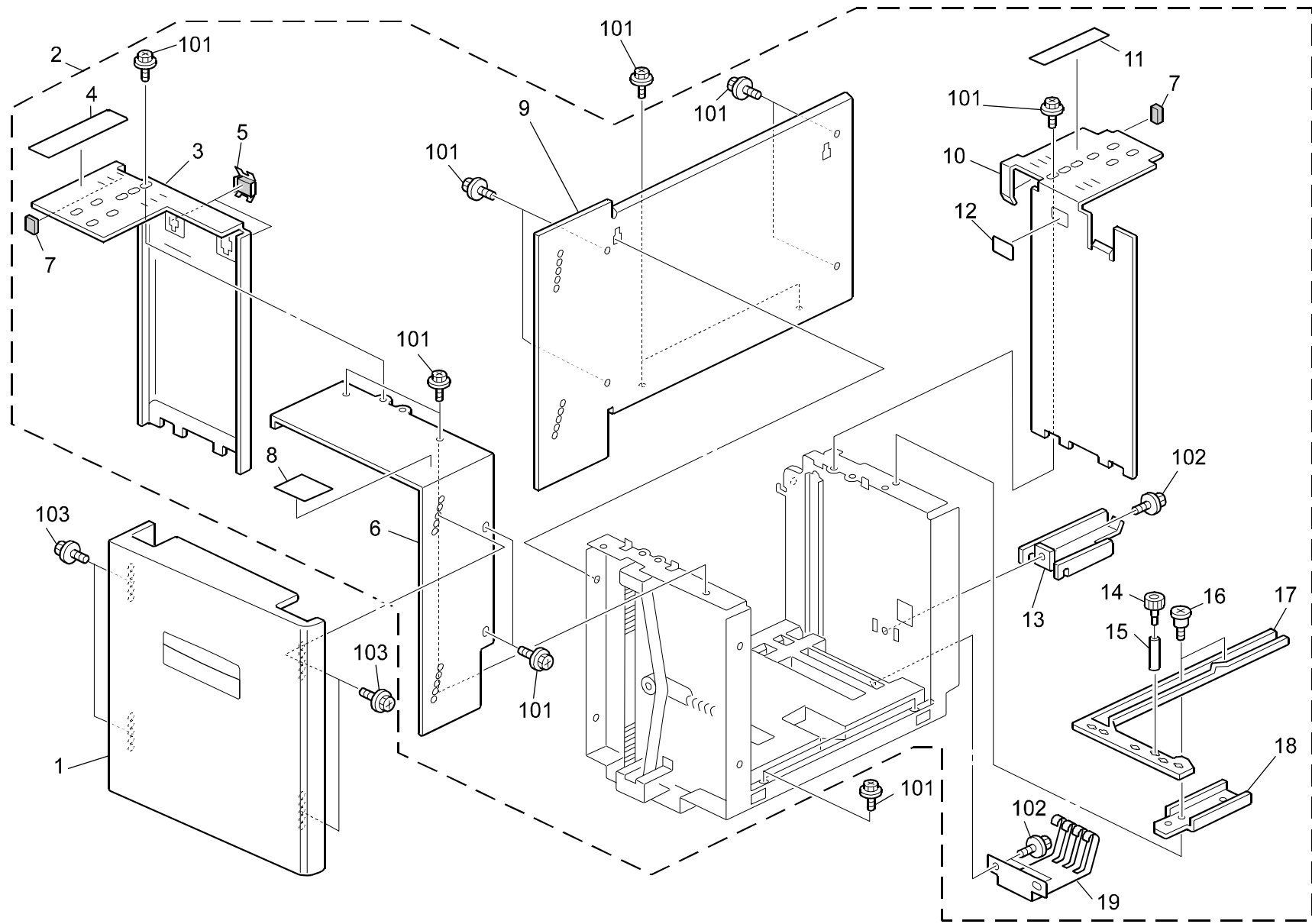


3.4TH/5TH TRAY UNIT 2 (B511)

Index No.	Part No.	Description	Q'ty Per Assembly
1	A667 2656	Friction Pad	1
2	B303 2735	Paper Tray Base Plate	1
3	B511 2439	Bracket:Paper Tray:Front	1
4	B511 2438	Bracket:Paper Tray:Rear	1
5	B511 2737	Weight Plate	2
6	A667 2660	Belt Stopper	2
7	B511 2742	Bracket	1
8	AA04 3910	Timing Belt - B100S5M435	2
9	AB03 0548	Pulley - 16T	4
10	A335 4351	Guide Roller	4
11	AA08 2096	Bushing - 8x12x7	2
12	B511 2725	Fixing Plate	1
13	B303 2729	Cushion - 30x38	2
14	B511 2726	Fixing Plate	1
15	B303 2851	Paper Lift Shaft - 1k	1
16	B303 2757	Spring Plate	1
17	B511 2752	Bracket	1
18	B511 2747	Paper Actuator	1
19	B303 2748	Actuator Cover	1
20	B303 2723	Grounding Plate	1
21	B303 1303	Decal - Paper Size	1

Index No.	Part No.	Description	Q'ty Per Assembly
101	0450 4014W	Tapping Screw - M4x14	
102	0354 0060B	Screw - M4X6	
103	0451 3008B	Tapping Screw - M3x8	
104	0451 4008B	Philips Tapping Screw - M4x8	
105	0802 5281	Tapping Screw - M4x6	
106	0802 5282	Tapping Screw - M4x8	
107	0720 0060E	Retaining Ring - M6	
108	0314 0040B	Philips Pan Head Screw - M4x4	
109	0633 0140G	Parallel Pin - 3x14	

4.6TH TRAY UNIT 1 (B511)

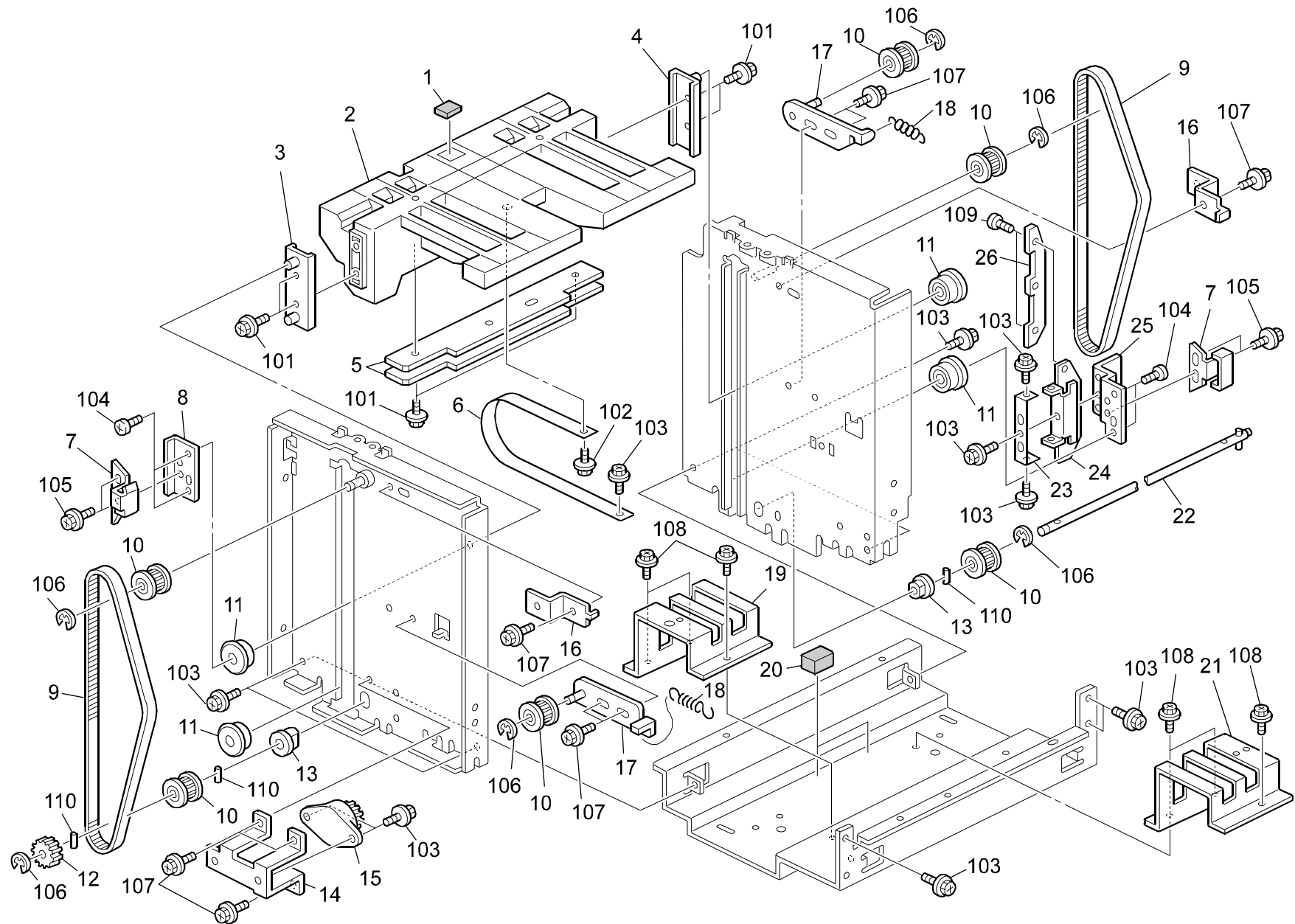


4.6TH TRAY UNIT 1 (B511)

Index No.	Part No.	Description	Q'ty Per Assembly
1	B511 1381	Cover:Tray:L	1
2	B511 2701	Paper Tray:No.3:Na:Ass'y (LT)	1
2	B511 2700	Paper Tray:No.3:Ass'y (A4)	1
3	B511 2769	Side Fence:Front:No.3:Ass'y	1
4	B303 1304	Decal - Paper Position	1
5	B303 2777	Paper Guide Mylar	2
6	B511 2722	Upper Cover	1
7	B303 2645	Noise Absorber Seal - 16.5x4.2x3	2
8	B511 1311	Decal:Paper:Supply:6	1
9	B511 2721	Front Guide Plate	1
10	B511 2774	Side Fence:Rear:No.3:Ass'y	1
11	B303 1305	Decal - Paper Position	1
12	B511 2674	Decal:Display:Paper Volume	1
13	B511 2727	Sensor Bracket	1
14	B511 2787	Knob Screw:End Fence:Press Fit	1
15	B511 2788	Silicone Tube:End Fence	1
16	AA14 3074	Stepped Screw - M4x5	2
17	B511 2660	Slider:End Fence	1
18	B511 2783	Guide Fence Bracket	1
19	B303 2723	Grounding Plate	1

Index No.	Part No.	Description	Q'ty Per Assembly
101	0451 4008B	Philips Tapping Screw - M4x8	
102	0802 5282	Tapping Screw - M4x8	
103	0451 4008H	Tapping Screw - 4x8	

5.6TH TRAY UNIT 2 (B511)

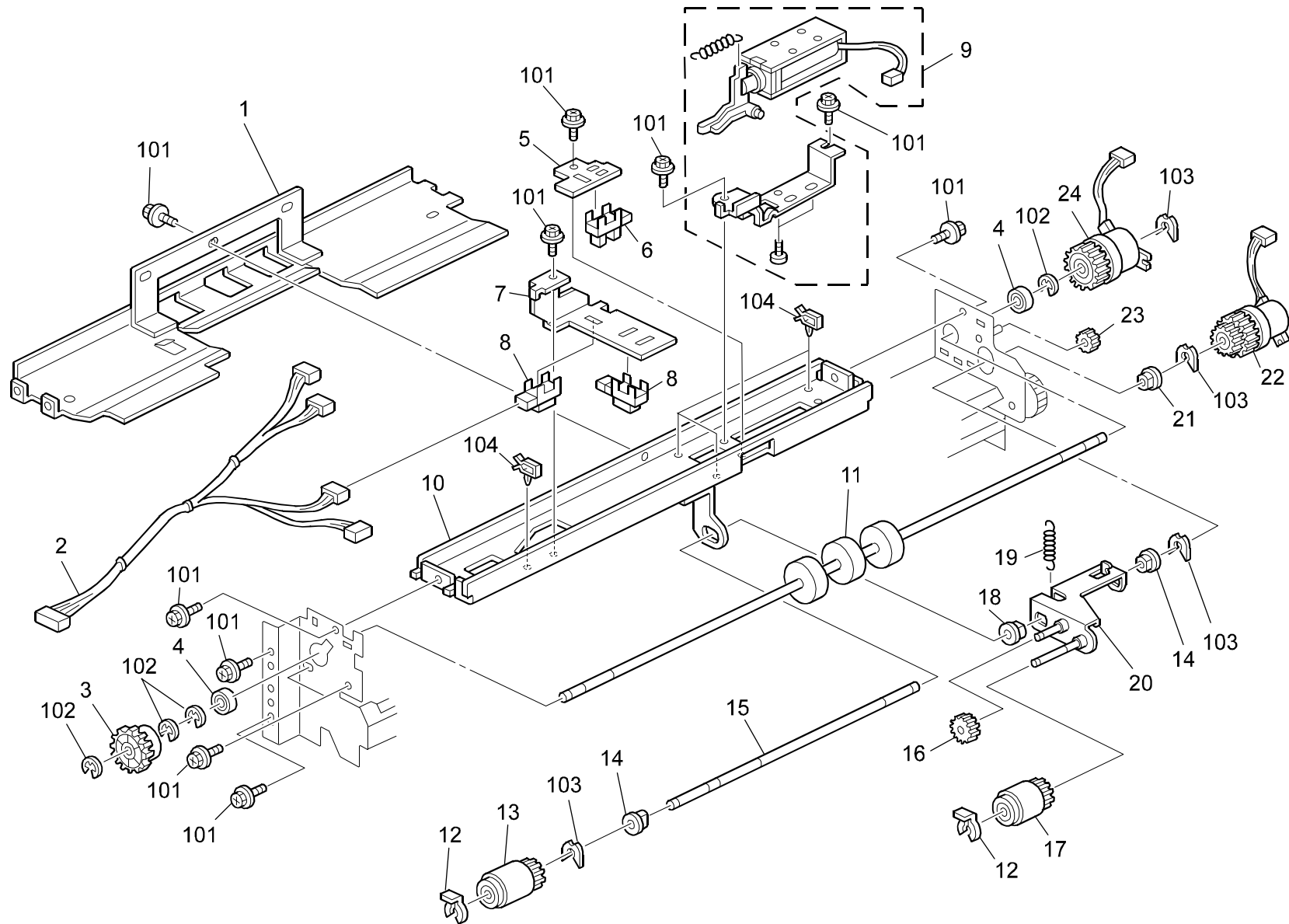


5.6TH TRAY UNIT 2 (B511)

Index No.	Part No.	Description	Q'ty Per Assembly
1	A667 2656	Friction Pad	1
2	B303 2735	Paper Tray Base Plate	1
3	B511 2439	Bracket:Paper Tray:Front	1
4	B511 2438	Bracket:Paper Tray:Rear	1
5	B511 2737	Weight Plate	1
6	B303 2734	Paper Stopper	1
7	A667 2660	Belt Stopper	2
8	B511 2742	Bracket	1
9	AA04 3909	Timing Belt - B100S5M780	2
10	AB03 0548	Pulley - 16T	6
11	A335 4351	Guide Roller	4
12	AB01 4140	Gear - 24Z	1
13	AA08 2096	Bushing - 8x12x7	2
14	B511 2792	Oil Dumper Bracket	1
15	B303 2791	Oil Dumper	1
16	B511 2736	Side Plate Bracket	2
17	B511 2761	Tightener Bracket	2
18	AA06 0817	Tighten Spring	2
19	B511 2725	Fixing Plate	1
20	B303 2729	Cushion - 30x38	2
21	B511 2726	Fixing Plate	1
22	B303 2751	Paper Lift Shaft - 2.5k	1
23	B303 2757	Spring Plate	1
24	B511 2747	Paper Actuator	1
25	B511 2752	Bracket	1
26	B303 2748	Actuator Cover	1

Index No.	Part No.	Description	Q'ty Per Assembly
101	0450 4014W	Tapping Screw - M4x14	
102	0450 4010B	Tapping Screw - 4x10	
103	0451 4008B	Philips Tapping Screw - M4x8	
104	0354 0060B	Screw - M4X6	
105	0451 3008B	Tapping Screw - M3x8	
106	0720 0060E	Retaining Ring - M6	
107	0802 5282	Tapping Screw - M4x8	
108	0802 5281	Tapping Screw - M4x6	
109	0314 0040B	Philips Pan Head Screw - M4x4	
110	0633 0140G	Parallel Pin - 3x14	

6.PAPER REGISTRATION 1 (B511)

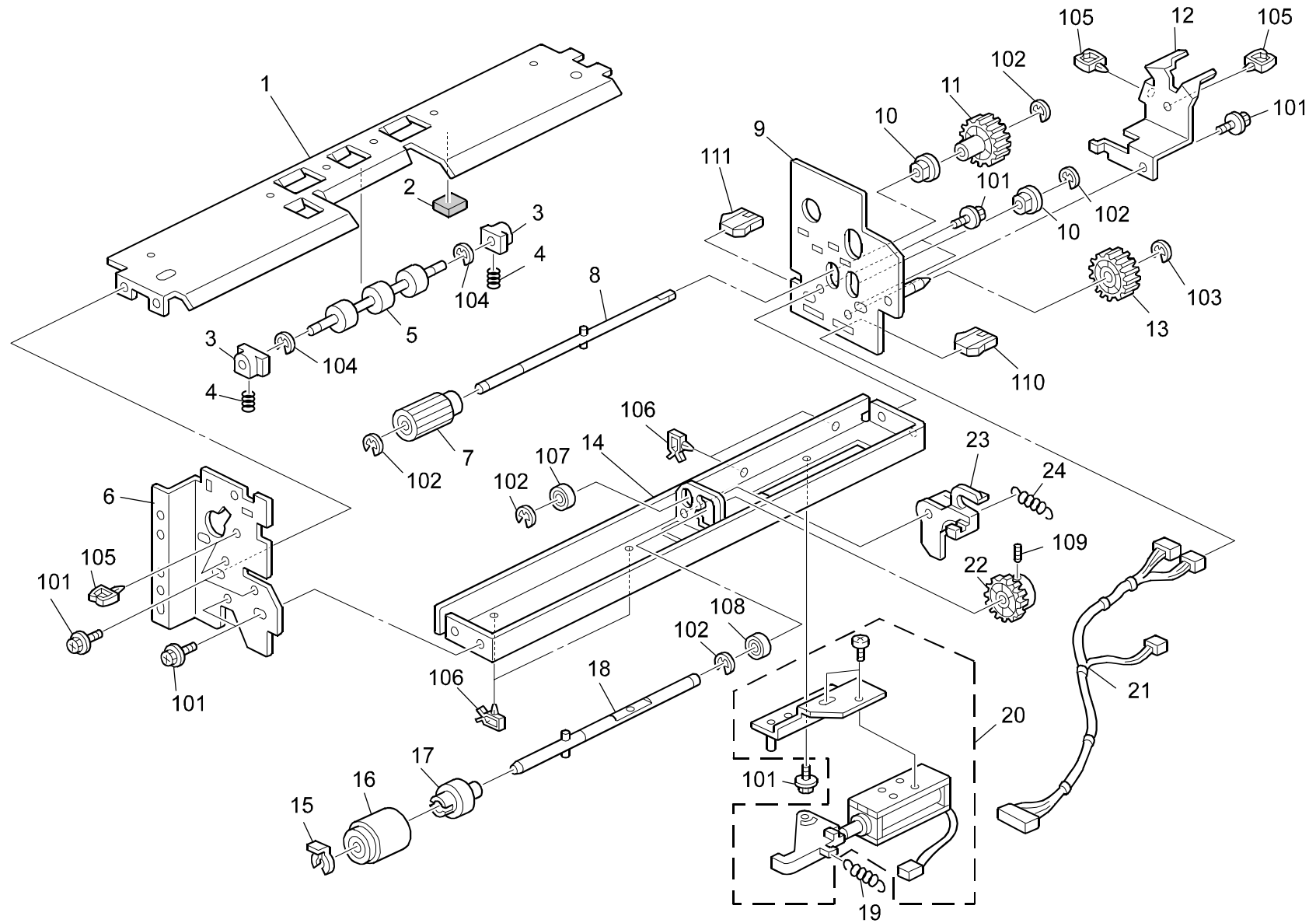


6.PAPER REGISTRATION 1 (B511)

Index No.	Part No.	Description	Q'ty Per Assembly
1	B511 2520	Guide Plate:Feed:Ass'y	1
2	B511 5323	Harness:Paper Feed Unit:Upper	1
3	AB01 4152	Gear - 32Z	1
4	A232 3566	Ball Bearing - 8x16x5	2
5	B511 2677	Sensor Bracket	1
6	AW02 0056	Photointerruptor - EE-SX4235A-P1	1
7	B511 2576	Sensor Bracket	1
8	AW01 0098	Photointerrupter - GP2A231LRSA	2
9	B511 2578	Pick-up DC Solenoid	1
10	B511 2571	Stay:Feed:Peen	1
11	AF02 0573	Transport Drive Roller	1
12	AA10 0014	Retaining Ring C - Separate	2
13	AF03 1081	Paper Feed Roller:Feed:Manual Feed	1
14	AA08 2070	Bushing - 8x16x7	2
15	AA14 0799	Feed Roller Shaft	1
16	5447 2706	Gear - 15T	1
17	AF03 0080	Paper Feed Roller:Pickup	1
18	AA08 2074	Bushing - M8	1
19	AA06 0925	Tension Spring:Pickup:Pressure	1
20	B511 2574	Arm:Pickup:Peen	1
21	AA08 3015	Roller Clutch	1
22	AX20 0176	Magnetic Clutch	1
23	AB01 3000	Idler Gear - 18z	1
24	AX21 0073	Electro Magnetic Clutch	1
25	AA06 0924	Tension Spring:Pickup:Pressure Release	1

Index No.	Part No.	Description	Q'ty Per Assembly
101	0451 4008B	Philips Tapping Screw - M4x8	
102	0720 0060E	Retaining Ring - M6	
103	0805 0088	Retaining Ring - M6	
104	1105 0511	Harness Clamp - LWS-0306ZC	

7.PAPER REGISTRATION 2 (B511)



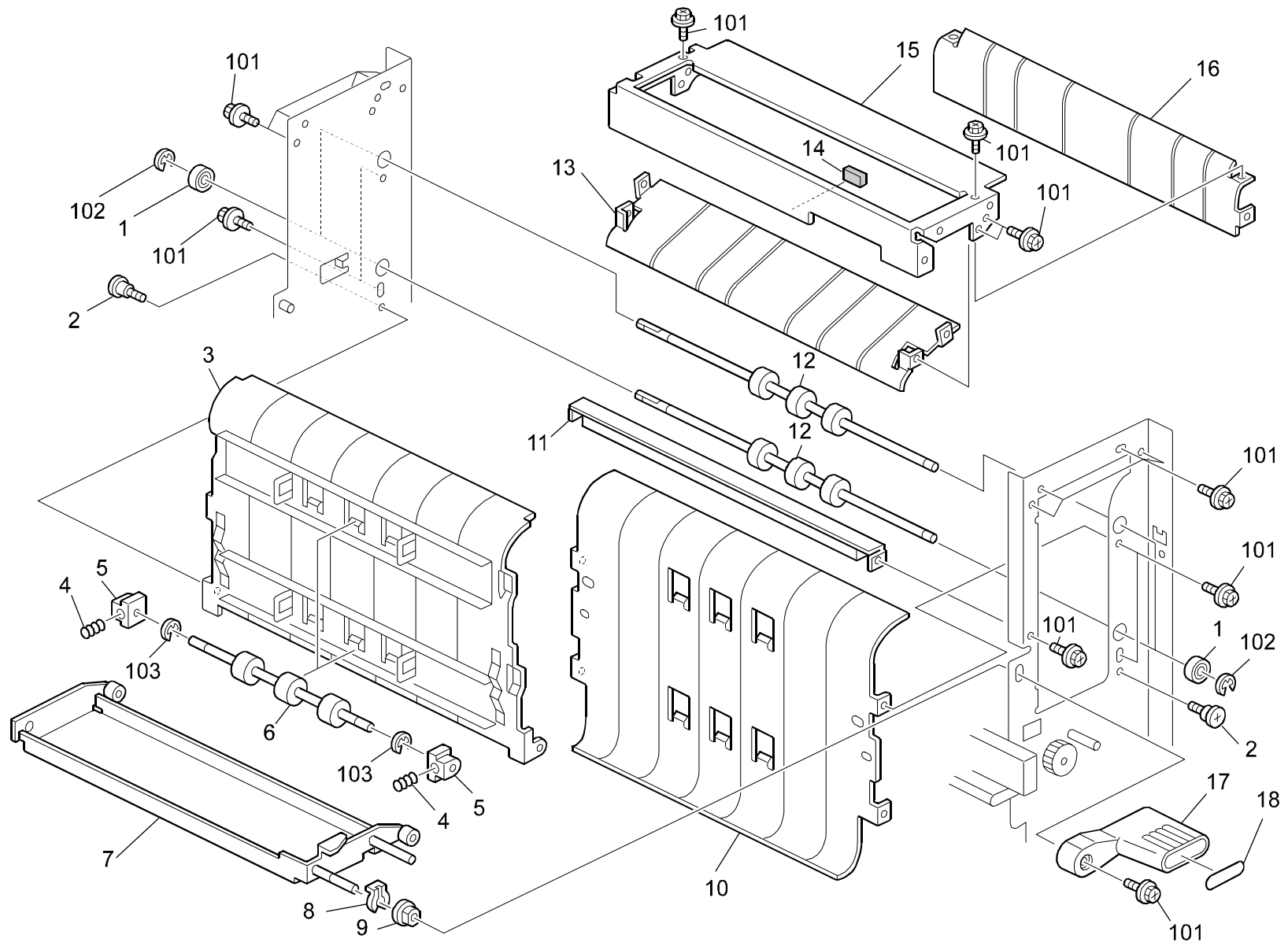
7.PAPER REGISTRATION 2 (B511)

Index No.	Part No.	Description	Q'ty Per Assembly
1	B511 2535	Guide Plate:Reverse:Ass'y	1
2	A229 2692	Damping Insulation	1
3	AA08 0034	Bushing - 4x5x7	2
4	AA06 3852	Pressure Spring	2
5	AF02 0489	Transport Relay Roller	1
6	B511 2600	Front Side Plate	1
7	AB01 1392	Drive Reverse Gear - 24z	1
8	B303 6306	Reverse Drive Shaft	1
9	B511 2610	Rear Side Plate	1
10	AA08 2046	Bushing - 6x12x6	2
11	AB01 3776	Gear - 30Z	1
12	B511 2591	Feed Clutch Arm	1
13	AB01 3775	Gear - 33Z	1
14	B511 2541	Feed Stay	1
15	AA10 0014	Retaining Ring C - Separate	1
16	AF03 2080	Paper Feed Roller:Separate	1
17	A294 6700	Torque Limiter - 53mnm	1
18	A229 6307	Reverse Driven Shaft	1
19	AA06 0575	Release Spring	1
20	B511 2558	Reverse DC Solenoid	1
21	A229 5496	Lower Harness	1
22	AB01 1391	Driven Reverse Gear - 21z	1
23	B303 2556	Reverse Pressure Lever	1
24	AA06 0834	Reverse Pressure Spring - 55gf	1

Index No.	Part No.	Description	Q'ty Per Assembly
101	0451 4008B	Philips Tapping Screw - M4x8	
102	0720 0040E	Retaining Ring - M4	
103	0720 0060E	Retaining Ring - M6	
104	0720 0030E	Retaining Ring - M3	
105	1105 0199	Clamp	
106	1105 0511	Harness Clamp - LWS-0306ZC	
107	0741 3706	Ball Bearing - 6x10x3	
108	0805 3145	Ball Bearing - 6x12x4mm	
109	0573 0030E	Hexagon Headless Set Screw - M3x3	
110	1102 6245	Relay Connector - 2P	
111	1102 6259	Connector - 2P	



8.TRANSPORT SECTION 1 (B511)

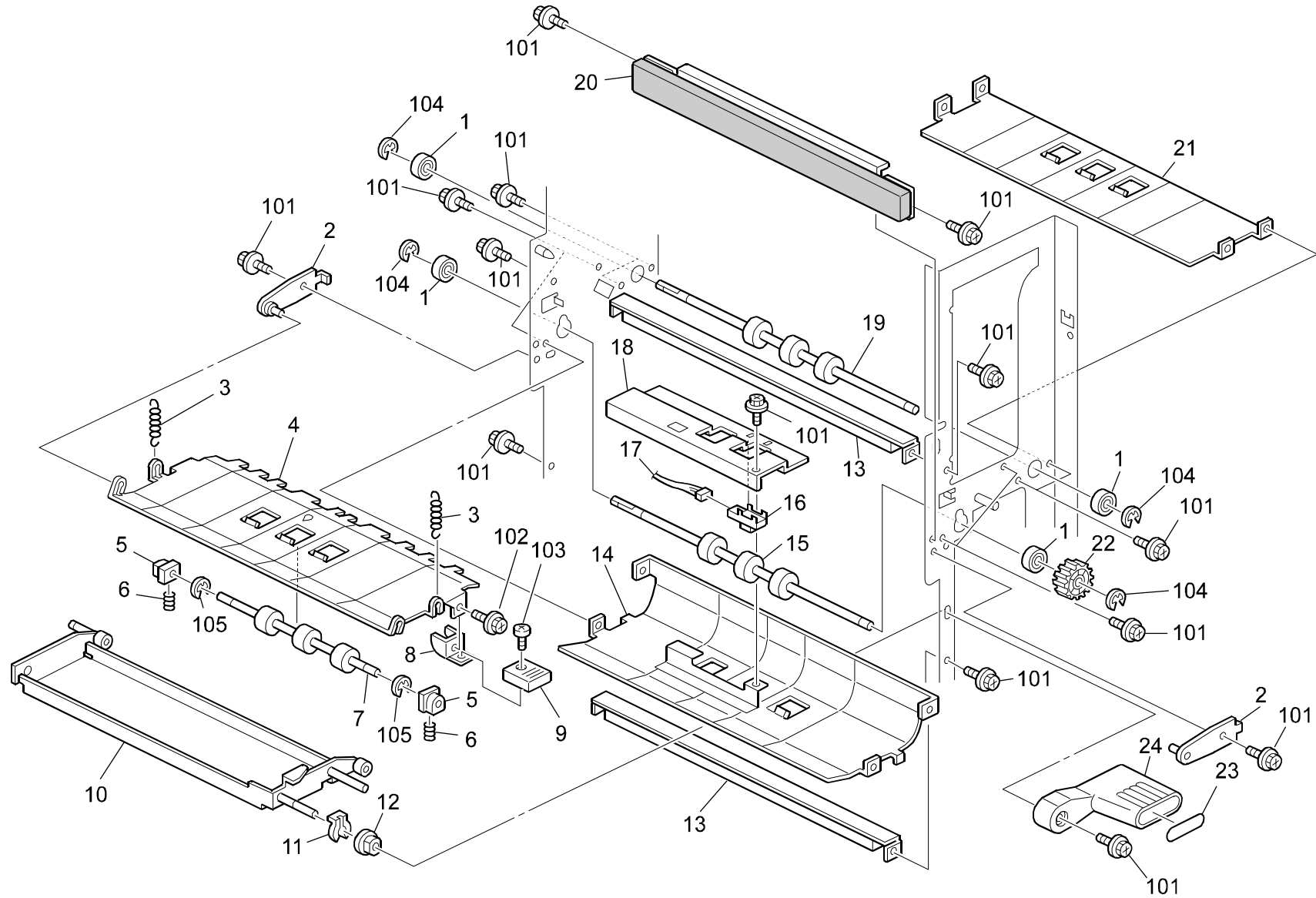


8.TRANSPORT SECTION 1 (B511)

Index No.	Part No.	Description	Q'ty Per Assembly
1	A232 3566	Ball Bearing - 8x16x5	2
2	AA14 3037	Development Cover Screw	2
3	B511 3615	Guide Plate:Upper:Open And Close	1
4	AA06 3852	Pressure Spring	4
5	AA08 0034	Bushing - 4x5x7	4
6	AF02 0489	Transport Relay Roller	2
7	B511 3750	Support Stay	1
8	5215 2621	Snap Ring - M6	1
9	AA08 2070	Bushing - 8x16x7	1
10	B303 3690	Guide Plate	1
11	B511 3817	Stay:Misfeed Removal:Stopper	1
12	AF02 0486	Transport Drive Roller	2
13	B511 3300	Guide Plate:Manual Feed:Lower	1
14	A680 4223	Cushion	1
15	B511 3830	Upper Support Stay	1
16	B511 3301	Guide Plate:Manual Feed:Stay:7	1
17	B303 3682	Misfeed Removal Knob	1
18	B303 1306	Decal - Instruction	1

Index No.	Part No.	Description	Q'ty Per Assembly
101	0451 4008B	Philips Tapping Screw - M4x8	
102	0720 0060E	Retaining Ring - M6	
103	0720 0030E	Retaining Ring - M3	

9.TRANSPORT SECTION 2 (B511)

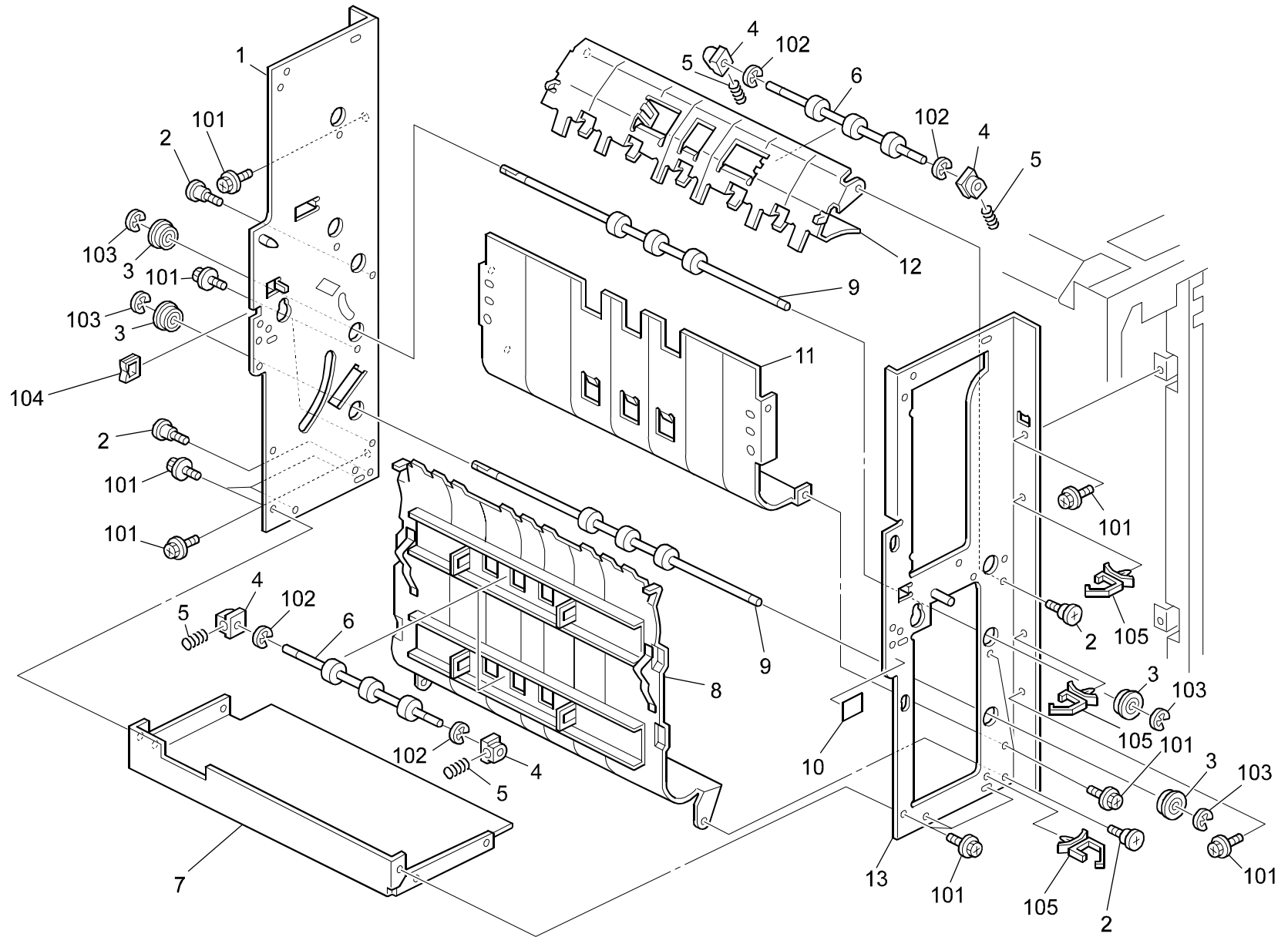


9. TRANSPORT SECTION 2 (B511)

Index No.	Part No.	Description	Q'ty Per Assembly
1	A232 3566	Ball Bearing - 8x16x5	4
2	B511 3670	Hinge Bracket	2
3	AA06 0820	Release Spring	2
4	B511 3686	Guide Plate	1
5	AA08 0034	Bushing - 4x5x7	2
6	AA06 3852	Pressure Spring	2
7	AF02 0489	Transport Relay Roller	1
8	B511 3637	Lever	1
9	A353 2243	Lever Knob	1
10	B511 3760	Support Stay	1
11	5215 2621	Snap Ring - M6	1
12	AA08 2070	Bushing - 8x16x7	1
13	B511 3817	Stay: Misfeed Removal: Stopper	2
14	B511 3696	Guide Plate	1
15	AF02 0488	Transport Drive Roller	1
16	AW01 0098	Photointerrupter - GP2A231LRSA	1
17	B511 5315	Harness: Sensor: Exit	1
18	B511 3676	Exit Sensor Cover	1
19	AF02 0487	Transport Drive Roller	1
20	B511 3901	Air Brock Plate	1
21	B303 3699	Guide Plate	1
22	AB01 4152	Gear - 32Z	1
23	B303 1307	Decal - Instruction	1
24	B303 3682	Misfeed Removal Knob	1

Index No.	Part No.	Description	Q'ty Per Assembly
101	0451 4008B	Philips Tapping Screw - M4x8	
102	0802 5282	Tapping Screw - M4x8	
103	0313 0040B	Philips Pan Head Screw - M3x4	
104	0720 0060E	Retaining Ring - M6	
105	0720 0030E	Retaining Ring - M3	

10. TRANSPORT SECTION 3 (B511)

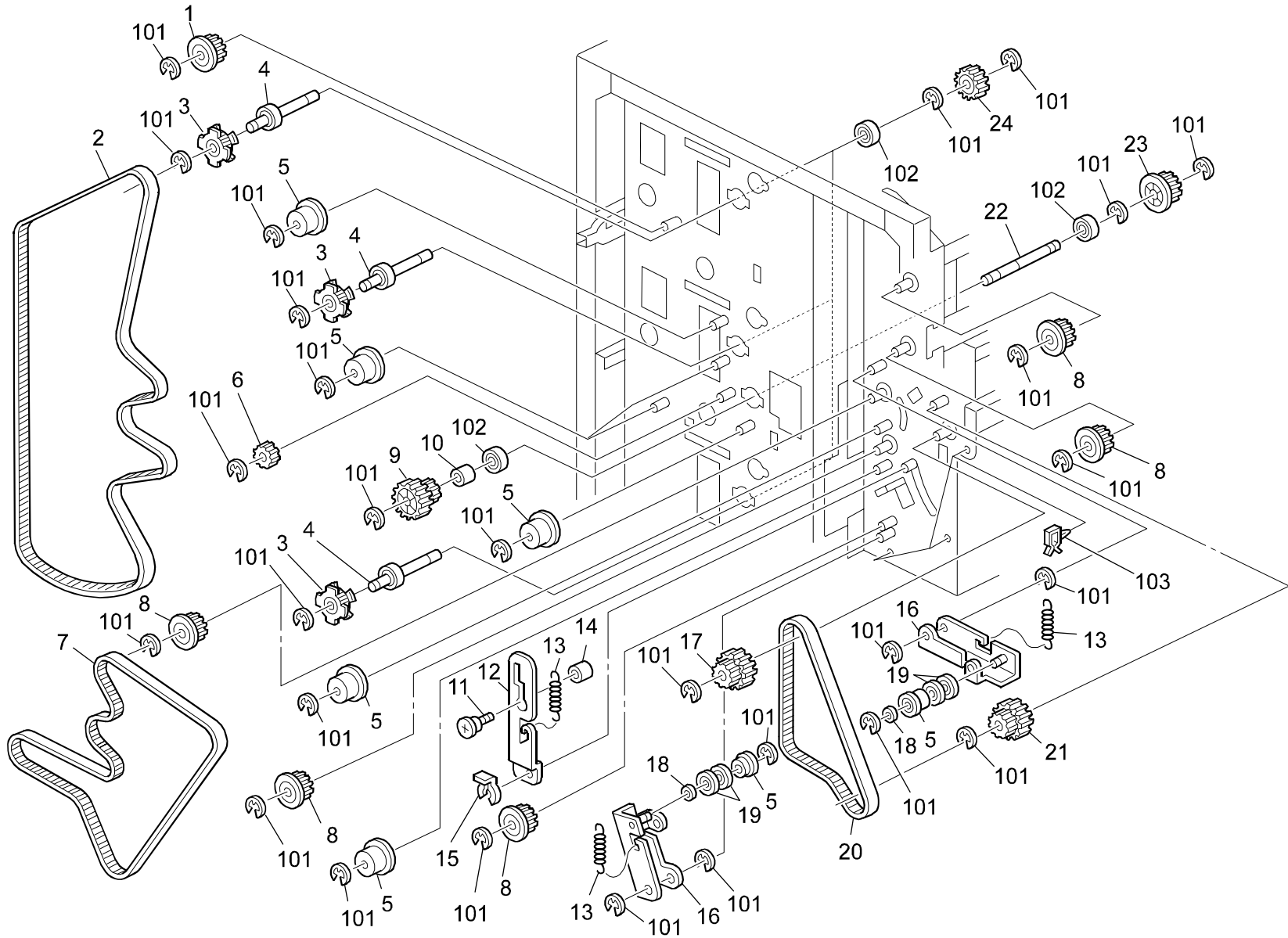


10.TRANSPORT SECTION 3 (B511)

Index No.	Part No.	Description	Q'ty Per Assembly
1	B511 3850	Rear Side Plate	1
2	AA14 3037	Development Cover Screw	4
3	A232 3566	Ball Bearing - 8x16x5	4
4	AA08 0034	Bushing - 4x5x7	6
5	AA06 3852	Pressure Spring	6
6	AF02 0489	Transport Relay Roller	3
7	B303 3830	Upper Support Stay	1
8	B511 3694	Guide Plate	1
9	AF02 0487	Transport Drive Roller	2
10	B303 1320	Decal - U6	1
11	B303 3693	Guide Plate:Lower Right	1
12	B303 3646	Link Guide Plate - Open And Close	1
13	B511 3825	Front Side Plate	1

Index No.	Part No.	Description	Q'ty Per Assembly
101	0450 4008B	Tapping Screw - 4x8	
102	0720 0030E	Retaining Ring - M3	
103	0720 0060E	Retaining Ring - M6	
104	1105 0358	Edge Saddle - EDS-0607M	
105	1105 0511	Harness Clamp - LWS-0306ZC	

11.DRIVE SECTION (B511)

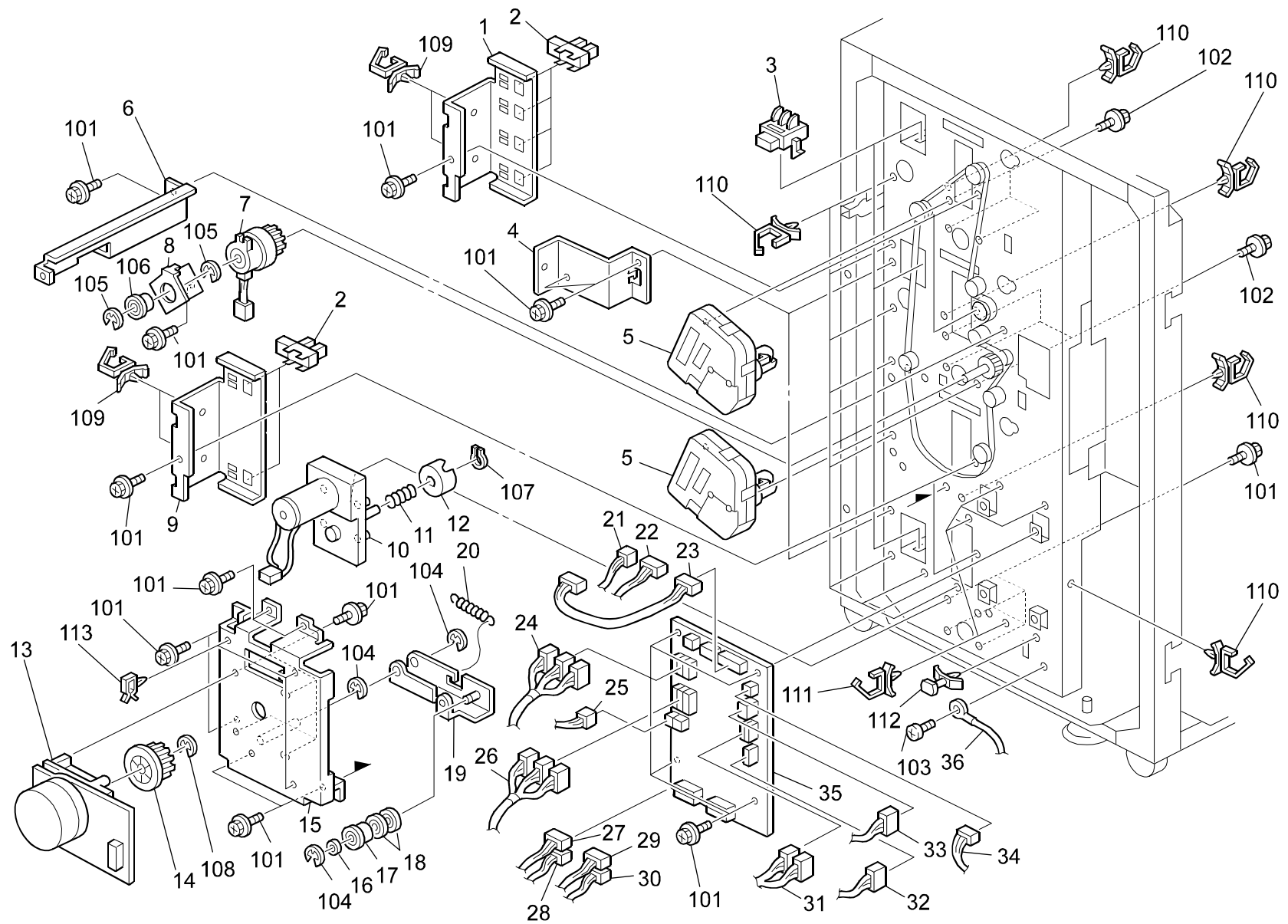


11.DRIVE SECTION (B511)

Index No.	Part No.	Description	Q'ty Per Assembly
1	AB03 0653	Pulley - 23T	1
2	AA04 3951	Timing Belt - S3M1299	1
3	AB03 3097	Timing Pulley:22t	3
4	B303 1565	Paper Feed Frive Shaft	3
5	AB03 0665	Idler Pulley - 18z	8
6	AB01 2829	Gear:Z25:Idler	1
7	AA04 3950	Timing Belt - S3M810	1
8	AB03 0649	Timing Pulley - 24T	5
9	AB01 4143	Pulley - 30Z/22T	1
10	B303 1562	Collar - 8x13x10	1
11	6803 2273	Stepped Screw - M4	1
12	B511 3680	Linkage Bracket	1
13	AA06 0830	Tighten Spring	3
14	B303 3685	Link Spacer	1
15	5447 2681	Snap Ring	1
16	B511 1581	Tension Bracket	2
17	AB01 4141	Pulley - 36Z/24T	1
18	B303 1535	Collar - M8	2
19	A354 4221	Flange - 23	4
20	AA04 3952	Timing Belt - S3M420	1
21	AB01 4142	Pulley - 30Z/20T	1
22	AA14 0798	Drive Shaft	1
23	AB03 0648	Timing Pulley - 27T	1
24	AB01 3654	Gear - 30Z	1

Index No.	Part No.	Description	Q'ty Per Assembly
101	0720 0060E	Retaining Ring - M6	
102	0740 3008	Ball Bearing - 8x22x7	
103	1105 0511	Harness Clamp - LWS-0306ZC	

12.ELECTRICAL SECTION (B511)

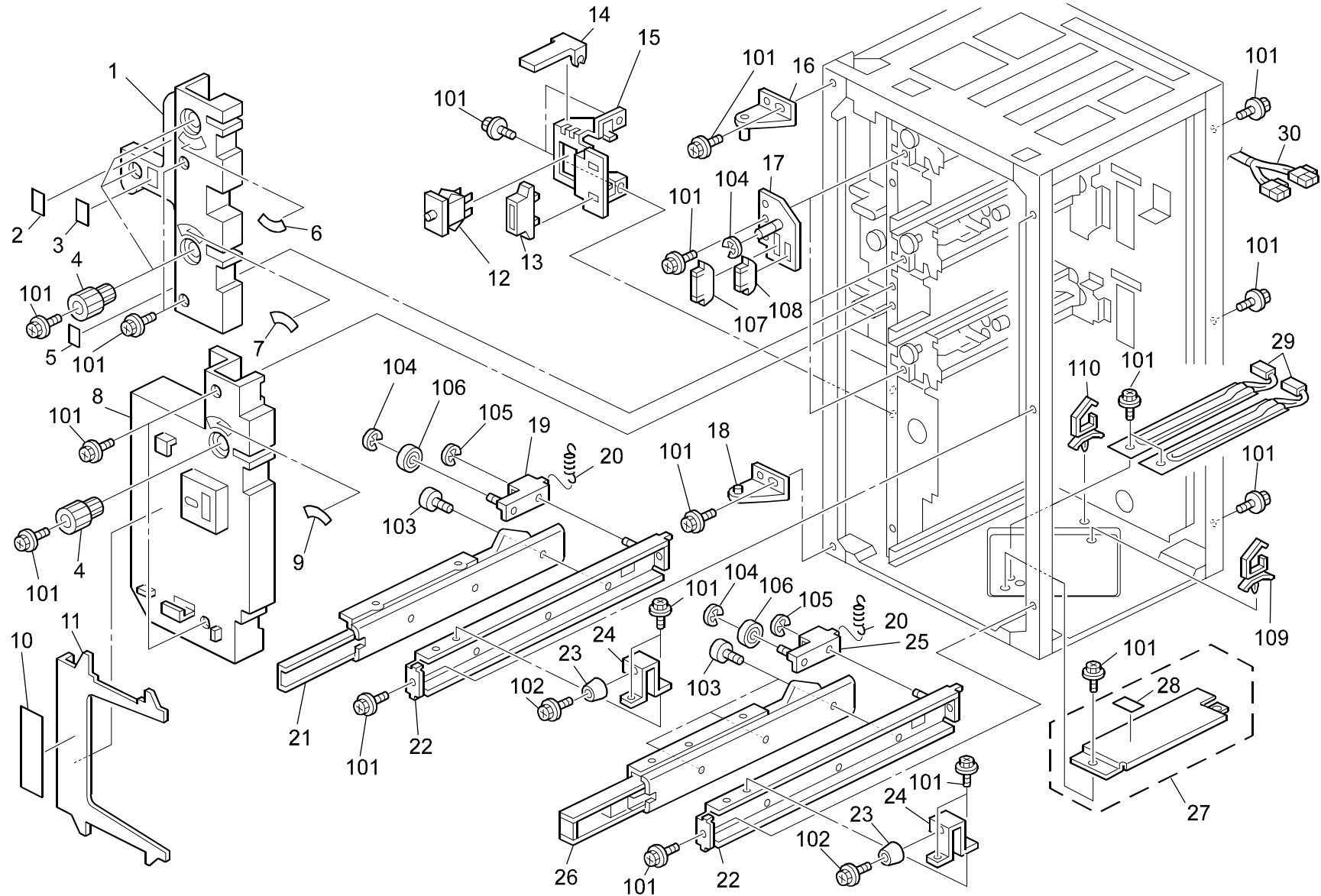


12.ELECTRICAL SECTION (B511)

Index No.	Part No.	Description	Q'ty Per Assembly
1	B303 1181	Sensor Bracket	1
2	AW02 0056	Photointerruptor - EE-SX4235A-P1	6
3	H515 5054	Paper Size Sensor	3
4	B511 1086	Support Plate	2
5	A248 6167	DC Motor - 19.2W	2
6	B511 1595	Stay:Cover:Rear	1
7	AX21 0072	Electro Magnetic Clutch	1
8	B511 1597	Bracket:Connecting	1
9	B303 1182	Sensor Bracket	1
10	AX04 0118	Lift Motor - DC 14W	1
11	AA06 3605	Pressure Spring	1
12	B303 1185	Metal Joint	1
13	AX06 0247	Brushless Motor:Transport-DC 24V	1
14	AB03 0738	Timing Pulley:34t	1
15	B511 1555	Main Motor Bracket	1
16	B303 1535	Collar - M8	1
17	AB03 0665	Idler Pulley - 18z	1
18	A354 4221	Flange - 23	2
19	B511 1581	Tension Bracket	1
20	AA06 0830	Tighten Spring	1
21	B511 5307	Harness:CL:Transport	1
22	B511 5306	Harness:Lift Motor	1
23	B512 5310	Harness:Brushless Motor	1
24	B511 5320	Harness:Paper Feed Unit:Lower	1
25	B511 5316	Harness:Door Switch	1
26	B511 5322	Harness:Paper Feed Unit:Upper	1
27	B511 5311	Harness:Paper Volume Sensor:1	1
28	B511 5312	Harness:Paper Volume Sensor:2	1
29	B511 5319	Harness:Size:Set Sensor	1
30	B511 5313	Harness:Paper Volume Sensor:3	1
31	B511 5301	Harness:Connecting:2	1
32	B511 5302	Harness:Connecting:3	1
33	B511 5300	Harness:Connecting:1	1
34	B511 5317	Harness:Safety Switch	1
35	B511 5111	PCB:Alaska-B:Ass'y	1

Index No.	Part No.	Description	Q'ty Per Assembly
36	A659 5390	Grounding Harness - Drawer	1
101	0451 4008B	Philips Tapping Screw - M4x8	
102	0450 4010B	Tapping Screw - 4x10	
103	0801 0150	Philips Screw - M4x8	
104	0720 0060E	Retaining Ring - M6	
105	0720 0050E	Retaining Ring - M5	
106	0741 3808	Ball Bearing - 8x16x5mm	
107	0727 0080E	Retaining Ring - M8	
108	0720 0080E	Retaining Ring - M8	
109	1105 0291	Harness Clamp - LWS-3S	
110	1105 0488	Harness Clamp	
111	1105 0489	Harness Clamp - LWS 1316	
112	1105 0409	Card Spacer- 6.4mm	
113	1105 0511	Harness Clamp - LWS-0306ZC	

13.FRAME 1 (B511)

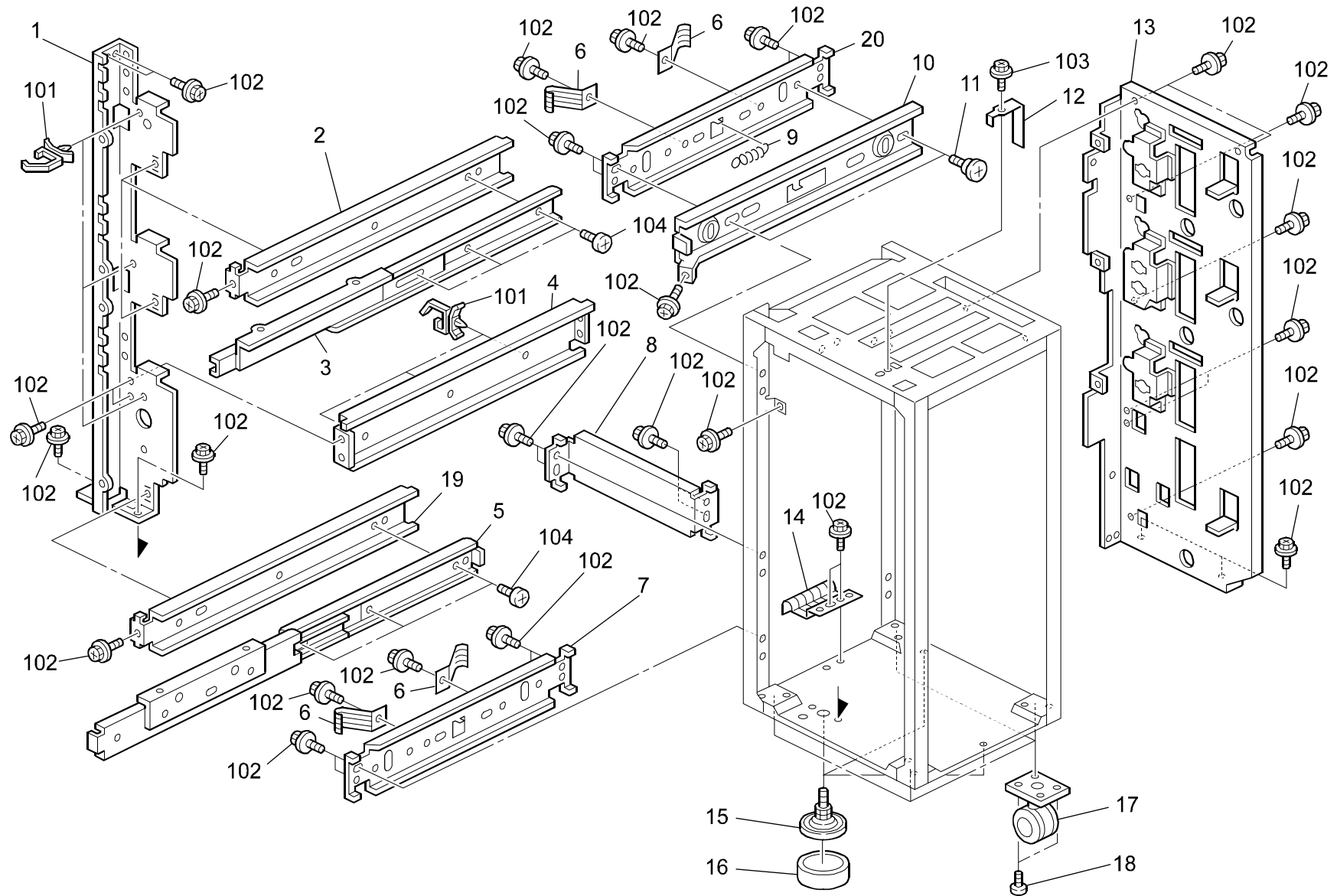


13.FRAME 1 (B511)

Index No.	Part No.	Description	Q'ty Per Assembly
1	B303 1390	Upper Inner Cover	1
2	B303 1331	Decal - Misfeed U1	1
3	B303 1333	Decal - Misfeed U7	1
4	AG05 0067	Knob - Transport Roller	4
5	B303 1332	Decal - Misfeed U3	1
6	B303 1316	Decal - U2	1
7	B303 1318	Decal - U4	1
8	B303 1391	Lower Inner Cover	1
9	B303 1319	Decal - U5	1
10	B511 1322	Decal:End Fence:Tab	1
11	B303 2785	Tab Paper End Fence	1
12	H510 5001	Push Switch	1
13	AG07 1010	Magnet Catch	1
14	B511 1172	Door Switch Actuator	1
15	B511 1171	Interlock Switch Bracket	1
16	B511 1034	Hinge:Cover:Upper:Peen	1
17	B511 2631	Fixing Plate	2
18	B511 1355	Lower Hinge	1
19	B511 1132	Arm Lock Bracket	2
20	AA06 0814	Lock Spring	2
21	B303 1125	Right Slide Rail	2
22	B511 1137	Support Stay	3
23	5446 2560	Cushion - Paper Tray	3
24	B511 1136	Rail Bracket	3
25	B511 1134	Arm Lock Bracket	1
26	B303 1155	Right Slide Rail	1
27	B303 3841	Heater Cover	1
28	AA00 0401	Decal - High Temperature	1
29	AX40 0053	Anti-condensation Heater - 240V 18W	2
30	B303 5324	Interface Harness	1

Index No.	Part No.	Description	Q'ty Per Assembly
101	0451 4008B	Philips Tapping Screw - M4x8	
102	0451 4010B	Tapping Screw - 4x10	
103	0453 4008B	Tapping Bind Screw - M4x8	
104	0720 0060E	Retaining Ring - M6	
105	0720 0040E	Retaining Ring - M4	
106	0805 3270	Ball Bearing - 8x16x5mm	
107	1102 6254	Connector - 11P	
108	1102 6249	Relay Connector - 6P	
109	1105 0310	Harness Clamp - LWS-1S	
110	1105 0292	Wire Saddle	

14.FRAME 2 (B511)



14.FRAME 2 (B511)

Index No.	Part No.	Description	Q'ty Per Assembly
1	B511 1070	Frant Side Plate	1
2	B511 1147	Support Stay	2
3	B303 1145	Left Slide Rail	2
4	B511 1075	Support Stay	1
5	B303 1165	Left Slide Rail	1
6	B303 1116	Grounding Plate	4
7	B303 1112	Support Stay	1
8	B511 1085	Support Stay	1
9	AA06 0813	Lock Spring	1
10	B511 1114	Support Stay	1
11	AA14 3403	Stepped Screw - 8x14x2.8	2
12	B303 2895	Guide Fence Stopper	1
13	B511 1080	Rear Side Plate	1
14	B303 1183	Grounding Plate	1
15	5424 1064	Screw Stand	3
16	AH01 3002	Leveling Shoe	3
17	AH01 2014	Caster - 60kgf	4
18	A507 1096	Philips Screw - M5x6	16
19	B303 1147	Support Stay	1
20	B511 1112	Support Stay	1

Index No.	Part No.	Description	Q'ty Per Assembly
101	1105 0488	Harness Clamp	
102	0451 4008B	Philips Tapping Screw - M4x8	
103	0802 5282	Tapping Screw - M4x8	
104	0453 4008B	Tapping Bind Screw - M4x8	

15.DECALS AND DOCUMENTS (B511)

1

2

A4	B5	A5	A5	8 1/2 X 5 1/2	8 1/2 X 11	5 1/2 X 8 1/2	>PS<
----	----	----	----	---------------	------------	---------------	------

3

A4	11
B5	8 1/2
A5	5 1/2
A5	>PS<

4

>PS< **U₁** ↓

5

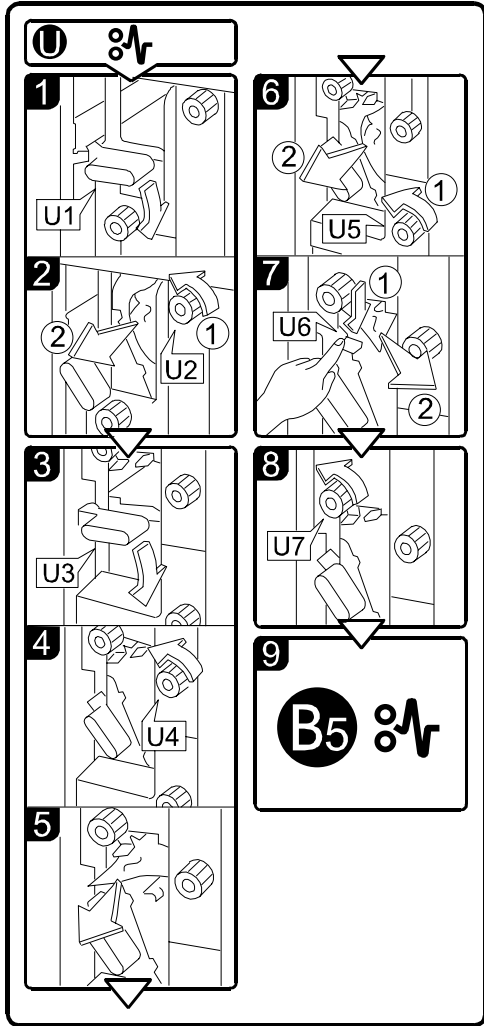
>PS< **U₃** ↓

6

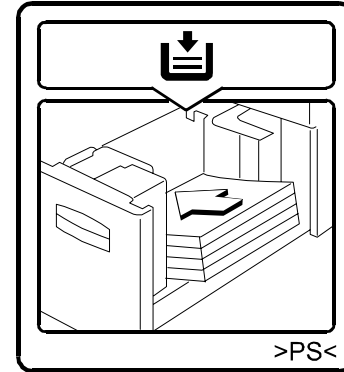
4	B5	5 1/2 X 8 1/2	5 1/2 X 8 1/2
8 1/2 X 11	A4	5 1/2 X 8 1/2	5 1/2 X 8 1/2
A5	A5	5 1/2 X 8 1/2	5 1/2 X 8 1/2
A5	A5	8 1/2 X 11	8 1/2 X 11
A5	A5	8 1/2 X 11	8 1/2 X 11
B5	A4	*	*
B5	A4	x	x
B5	A4		
A4	A4		

15.DECALS AND DOCUMENTS (B511)

7



8



9



10

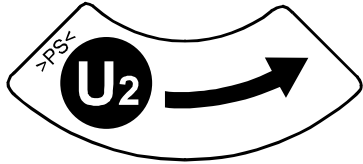


11

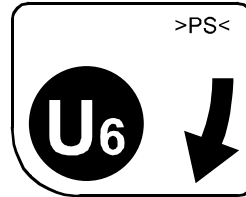


15.DECALS AND DOCUMENTS (B511)

12

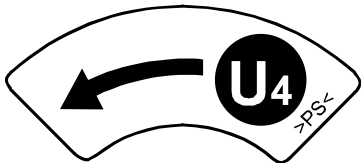


15

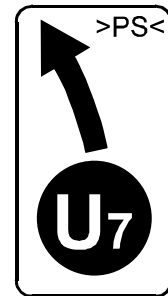


17

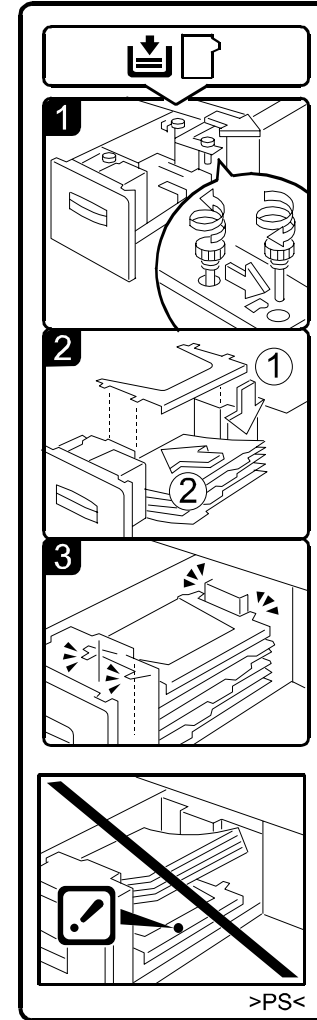
13





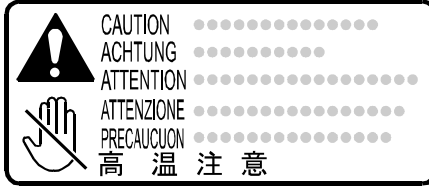
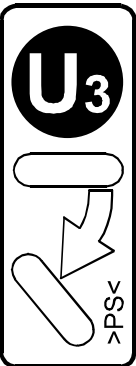
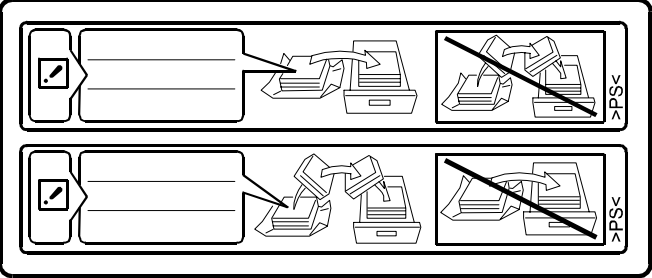
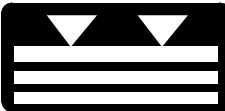
16



14



15.DECALS AND DOCUMENTS (B511)

<p>18</p> 	<p>19</p> 	<p>21</p> 
	<p>20</p> 	<p>22</p> 
		<p>23</p> 

15.DECALS AND DOCUMENTS (B511)

Index No.	Part No.	Description	Q'ty Per Assembly
1	B511 1302	Decal:Paper:Supply:4-5	1
2	B303 1303	Decal - Paper Size	1
3	B303 1304	Decal - Paper Position	1
4	B303 1306	Decal - Instruction	1
5	B303 1307	Decal - Instruction	1
6	B511 1308	Decal:Paper:Size:Multi-Language	1
7	B511 1309	Decal:Misfeed Removal	1
8	B511 1311	Decal:Paper:Supply:6	1
9	B511 1312	Decal:Paper Tray:Display:4	1
10	B511 1313	Decal:Paper Tray:Display:5	1
11	B511 1314	Decal:Paper Tray:Display:6	1
12	B303 1316	Decal - U2	1
13	B303 1318	Decal - U4	1
14	B303 1319	Decal - U5	1
15	B303 1320	Decal - U6	1
16	B303 1333	Decal - Misfeed U7	1
17	B511 1322	Decal:End Fence:Tab	1
18	B303 1305	Decal - Paper Position	1
19	B303 1332	Decal - Misfeed U3	1
20	B303 1331	Decal - Misfeed U1	1
21	AA00 0401	Decal - High Temperature	1
22	B070 1307	Decal:Caution Chart:Paper Set Direction:C2	1
23	B511 2674	Decal:Display:Paper Volume	1

Index No.	Part No.	Description	Q'ty Per Assembly

Parts Index

PM Parts Index

Section Name	Part No.	Description in Service Manual	Description in Parts Catalog	Q'ty Per Assembly	Page and Index No.
PAPER FEED UNIT 1 (B303)	AF03 1081	Feed Roller	Paper Feed Roller:Feed:Manual Feed	3	17- 13
PAPER FEED UNIT 1 (B303)	AF03 0080	Pick-up Roller	Paper Feed Roller:Pickup	3	17- 17
PAPER FEED UNIT 2 (B303)	AF03 2080	Separation Roller	Paper Feed Roller:Separate	3	19- 16

Parts Index

Part No.	Description	Page and Index No.
B511 1034	Hinge:Cover:Upper:Peen	31 - 16
B511 1070	Frant Side Plate	33 - 1
B511 1075	Support Stay	33 - 4
B511 1080	Rear Side Plate	33 - 13
B511 1085	Support Stay	33 - 8
B511 1086	Support Plate	29 - 4
B511 1112	Support Stay	33 - 20
B511 1114	Support Stay	33 - 10
B511 1132	Arm Lock Bracket	31 - 19
B511 1134	Arm Lock Bracket	31 - 25
B511 1136	Rail Bracket	31 - 24
B511 1137	Support Stay	31 - 22
B511 1147	Support Stay	33 - 2
B511 1171	Interlock Switch Bracket	31 - 15
B511 1172	Door Switch Actuator	31 - 14
B511 1302	Decal:Paper:Supply:4-5	35 - 1
B511 1302	Decal:Paper:Supply:4-5	9 - 9
B511 1308	Decal:Paper:Size:Multi-language	7 - 2
B511 1308	Decal:Paper:Size:Multi-Language	35 - 6
B511 1309	Decal:Misfeed Removal	35 - 7
B511 1309	Decal:Misfeed Removal	7 - 22
B511 1311	Decal:Paper:Supply:6	35 - 8
B511 1311	Decal:Paper:Supply:6	13 - 8
B511 1312	Decal:Paper Tray:Display:4	35 - 9
B511 1312	Decal:Paper Tray:Display:4	7 - 17
B511 1313	Decal:Paper Tray:Display:5	35 - 10
B511 1313	Decal:Paper Tray:Display:5	7 - 18
B511 1314	Decal:Paper Tray:Display:6	35 - 11
B511 1314	Decal:Paper Tray:Display:6	7 - 19
B511 1322	Decal:End Fence:Tab	31 - 10
B511 1322	Decal:End Fence:Tab	35 - 17
B511 1355	Lower Hinge	31 - 18
B511 1360	Cover:Left	7 - 23
B511 1370	Cover:Upper	7 - 10
B511 1375	Cover:Rear	7 - 13

Part No.	Description	Page and Index No.
B511 1378	Cover:Cover:Upper	7 - 12
B511 1380	Cover:Tray:S	9 - 1
B511 1381	Cover:Tray:L	13 - 1
B511 1385	Cover:Right	7 - 15
B511 1386	Cover:Right:Key Counter	7 - 14
B511 1555	Main Motor Bracket	29 - 15
B511 1581	Tension Bracket	27 - 16
B511 1581	Tension Bracket	29 - 19
B511 1595	Stay:Cover:Rear	29 - 6
B511 1597	Bracket:Connecting	29 - 8
B511 2438	Bracket:Paper Tray:Rear	15 - 4
B511 2438	Bracket:Paper Tray:Rear	11 - 4
B511 2439	Bracket:Paper Tray:Front	11 - 3
B511 2439	Bracket:Paper Tray:Front	15 - 3
B511 2520	Guide Plate:Feed:Ass'y	17 - 1
B511 2535	Guide Plate:Reverse:Ass'y	19 - 1
B511 2541	Feed Stay	19 - 14
B511 2558	Reverse DC Solenoid	19 - 20
B511 2571	Stay:Feed:Peen	17 - 10
B511 2574	Arm:Pickup:Peen	17 - 20
B511 2576	Sensor Bracket	17 - 7
B511 2578	Pick-up DC Solenoid	17 - 9
B511 2591	Feed Clutch Arm	19 - 12
B511 2600	Front Side Plate	19 - 6
B511 2610	Rear Side Plate	19 - 9
B511 2631	Fixing Plate	31 - 17
B511 2660	Slider:End Fence	9 - 11
B511 2660	Slider:End Fence	13 - 17
B511 2674	Decal:Display:Paper Volume	9 - 22
B511 2674	Decal:Display:Paper Volume	35 - 23
B511 2674	Decal:Display:Paper Volume	13 - 12
B511 2677	Sensor Bracket	17 - 5
B511 2700	Paper Tray:No.3:Ass'y (A4)	13 - 2
B511 2701	Paper Tray:No.3:Na:Ass'y (LT)	13 - 2
B511 2721	Front Guide Plate	13 - 9

Part No.	Description	Page and Index No.
B511 2722	Upper Cover	13 - 6
B511 2725	Fixing Plate	15 - 19
B511 2725	Fixing Plate	11 - 12
B511 2726	Fixing Plate	15 - 21
B511 2726	Fixing Plate	11 - 14
B511 2727	Sensor Bracket	13 - 13
B511 2736	Side Plate Bracket	15 - 16
B511 2737	Weight Plate	15 - 5
B511 2737	Weight Plate	11 - 5
B511 2742	Bracket	15 - 8
B511 2742	Bracket	11 - 7
B511 2747	Paper Actuator	11 - 18
B511 2747	Paper Actuator	15 - 24
B511 2752	Bracket	11 - 17
B511 2752	Bracket	15 - 25
B511 2761	Tightener Bracket	15 - 17
B511 2769	Side Fence:Front:No.3:Ass'y	13 - 3
B511 2774	Side Fence:Rear:No.3:Ass'y	13 - 10
B511 2783	Guide Fence Bracket	13 - 18
B511 2783	Guide Fence Bracket	9 - 10
B511 2787	Knob Screw:End Fence:Press Fit	13 - 14
B511 2787	Knob Screw:End Fence:Press Fit	9 - 14
B511 2788	Silicone Tube:End Fence	13 - 15
B511 2788	Silicone Tube:End Fence	9 - 13
B511 2792	Oil Dumper Bracket	15 - 14
B511 2800	Paper Tray:No.1,2:Ass'y (A4)	9 - 3
B511 2801	Paper Tray:No.1,2:NA:Ass'y (LT)	9 - 3
B511 2821	Front Guide Plate	9 - 23
B511 2822	Upper Cover	9 - 8
B511 2875	Side Fence:Rear:No.1,2:Ass'y	9 - 20
B511 2886	Sensor Bracket	9 - 16
B511 2895	Stopper:End Fence:No.4	9 - 2
B511 2896	Stopper:End Fence:No.5	9 - 2
B511 2897	Paper Size Actuator	9 - 19
B511 3300	Guide Plate:Manual Feed:Lower	21 - 13

Part No.	Description	Page and Index No.
B511 3301	Guide Plate:Manual Feed:Stay:7	21 - 16
B511 3615	Guide Plate:Upper:Open And Close	21 - 3
B511 3637	Lever	23 - 8
B511 3670	Hinge Bracket	23 - 2
B511 3676	Exit Sensor Cover	23 - 18
B511 3680	Linkage Bracket	27 - 12
B511 3686	Guide Plate	23 - 4
B511 3694	Guide Plate	25 - 8
B511 3696	Guide Plate	23 - 14
B511 3750	Support Stay	21 - 7
B511 3760	Support Stay	23 - 10
B511 3817	Stay:Misfeed Removal:Stopper	21 - 11
B511 3817	Stay:Misfeed Removal:Stopper	23 - 13
B511 3825	Front Side Plate	25 - 13
B511 3830	Upper Support Stay	21 - 15
B511 3850	Rear Side Plate	25 - 1
B511 3901	Air Brock Plate	23 - 20
B511 5111	PCB:Alaska-B:Ass'y	29 - 35
B511 5300	Harness:Connecting:1	29 - 33
B511 5301	Harness:Connecting:2	29 - 31
B511 5302	Harness:Connecting:3	29 - 32
B511 5306	Harness:Lift Motor	29 - 22
B511 5307	Harness:CL:Transport	29 - 21
B511 5311	Harness:Paper Volume Sensor:1	29 - 27
B511 5312	Harness:Paper Volume Sensor:2	29 - 28
B511 5313	Harness:Paper Volume Sensor:3	29 - 30
B511 5315	Harness:Sensor:Exit	23 - 17
B511 5316	Harness:Door Switch	29 - 25
B511 5317	Harness:Safety Switch	29 - 34
B511 5319	Harness:Size:Set Sensor	29 - 29
B511 5320	Harness:Paper Feed Unit:Lower	29 - 24
B511 5322	Harness:Paper Feed Unit:Upper	29 - 26
B511 5323	Harness:Paper Feed Unit:Upper	17 - 2

Part No.	Description	Page and Index No.
A229 2692	Damping Insulation	19 - 2
A229 5496	Lower Harness	19 - 21
A229 6307	Reverse Driven Shaft	19 - 18
A232 3566	Ball Bearing - 8x16x5	25 - 3
A232 3566	Ball Bearing - 8x16x5	21 - 1
A232 3566	Ball Bearing - 8x16x5	23 - 1
A232 3566	Ball Bearing - 8x16x5	17 - 4
A248 6167	DC Motor - 19.2W	29 - 5
A294 6700	Torque Limiter - 53mnxm	19 - 17
A335 4351	Guide Roller	15 - 11
A335 4351	Guide Roller	11 - 10
A353 2243	Lever Knob	23 - 9
A354 4221	Flange - 23	27 - 19
A354 4221	Flange - 23	29 - 18
A499 1378	Stepped Screw - M4x6	9 - 15
A507 1096	Philips Screw - M5x6	33 - 18
A606 1595	Small Door Cover	7 - 21
A659 5390	Grounding Harness - Drawer	29 - 36
A667 2656	Friction Pad	11 - 1
A667 2656	Friction Pad	15 - 1
A667 2660	Belt Stopper	15 - 7
A667 2660	Belt Stopper	11 - 6
A680 4223	Cushion	21 - 14
B024 1365	Cap - 38x77	7 - 11
B070 1307	Decal:Caution Chart:Paper Set Direction:C2	7 - 1
B070 1307	Decal:Caution Chart:Paper Set Direction:C2	35 - 22
B303 1100	Pin - 14x33	7 - 4
B303 1101	Pin - 12x35	7 - 3
B303 1112	Support Stay	33 - 7
B303 1116	Grounding Plate	33 - 6
B303 1125	Right Slide Rail	31 - 21
B303 1145	Left Slide Rail	33 - 3
B303 1147	Support Stay	33 - 19
B303 1155	Right Slide Rail	31 - 26
B303 1165	Left Slide Rail	33 - 5

Part No.	Description	Page and Index No.
B303 1181	Sensor Bracket	29 - 1
B303 1182	Sensor Bracket	29 - 9
B303 1183	Grounding Plate	33 - 14
B303 1185	Metal Joint	29 - 12
B303 1303	Decal - Paper Size	11 - 21
B303 1303	Decal - Paper Size	35 - 2
B303 1304	Decal - Paper Position	13 - 4
B303 1304	Decal - Paper Position	9 - 6
B303 1304	Decal - Paper Position	35 - 3
B303 1305	Decal - Paper Position	13 - 11
B303 1305	Decal - Paper Position	9 - 21
B303 1305	Decal - Paper Position	35 - 18
B303 1306	Decal - Instruction	21 - 18
B303 1306	Decal - Instruction	35 - 4
B303 1307	Decal - Instruction	35 - 5
B303 1307	Decal - Instruction	23 - 23
B303 1316	Decal - U2	35 - 12
B303 1316	Decal - U2	31 - 6
B303 1318	Decal - U4	35 - 13
B303 1318	Decal - U4	31 - 7
B303 1319	Decal - U5	31 - 9
B303 1319	Decal - U5	35 - 14
B303 1320	Decal - U6	35 - 15
B303 1320	Decal - U6	25 - 10
B303 1331	Decal - Misfeed U1	31 - 2
B303 1331	Decal - Misfeed U1	35 - 20
B303 1332	Decal - Misfeed U3	35 - 19
B303 1332	Decal - Misfeed U3	31 - 5
B303 1333	Decal - Misfeed U7	35 - 16
B303 1333	Decal - Misfeed U7	31 - 3
B303 1361	Magnet Catch	7 - 20
B303 1371	Cushion - 10x595	7 - 5
B303 1372	Cushion - 15x700	7 - 9
B303 1373	Cushion - 15x372	7 - 8
B303 1374	Cushion - 15x50	7 - 6

Part No.	Description	Page and Index No.
B303 1376	Cushion - 15x30	7 - 7
B303 1390	Upper Inner Cover	31 - 1
B303 1391	Lower Inner Cover	31 - 8
B303 1535	Collar - M8	27 - 18
B303 1535	Collar - M8	29 - 16
B303 1562	Collar - 8x13x10	27 - 10
B303 1565	Paper Feed Frive Shaft	27 - 4
B303 2556	Reverse Pressure Lever	19 - 23
B303 2645	Noise Absorber Seal - 16.5x4.2x3	9 - 24
B303 2645	Noise Absorber Seal - 16.5x4.2x3	13 - 7
B303 2723	Grounding Plate	13 - 19
B303 2723	Grounding Plate	11 - 20
B303 2729	Cushion - 30x38	11 - 13
B303 2729	Cushion - 30x38	7 - 16
B303 2729	Cushion - 30x38	15 - 20
B303 2734	Paper Stopper	15 - 6
B303 2735	Paper Tray Base Plate	15 - 2
B303 2735	Paper Tray Base Plate	11 - 2
B303 2748	Actuator Cover	15 - 26
B303 2748	Actuator Cover	11 - 19
B303 2751	Paper Lift Shaft - 2.5k	15 - 22
B303 2757	Spring Plate	11 - 16
B303 2757	Spring Plate	15 - 23
B303 2777	Paper Guide Mylar	9 - 7
B303 2777	Paper Guide Mylar	13 - 5
B303 2785	Tab Paper End Fence	31 - 11
B303 2791	Oil Dumper	15 - 15
B303 2851	Paper Lift Shaft - 1k	11 - 15
B303 2871	Side Fence:Front:No.1,2:Ass'y	9 - 5
B303 2877	Knob Screw	9 - 4
B303 2888	Paper Size Lever	9 - 18
B303 2895	Guide Fence Stopper	33 - 12
B303 2898	Spring Plate	9 - 17
B303 3646	Link Guide Plate - Open And Close	25 - 12
B303 3682	Misfeed Removal Knob	21 - 17

Part No.	Description	Page and Index No.
B303 3682	Misfeed Removal Knob	23 - 24
B303 3685	Link Spacer	27 - 14
B303 3690	Guide Plate	21 - 10
B303 3693	Guide Plate:Lower Right	25 - 11
B303 3699	Guide Plate	23 - 21
B303 3830	Upper Support Stay	25 - 7
B303 3841	Heater Cover	31 - 27
B303 5324	Interface Harness	31 - 30
B303 5325	Key Counter Harness	7 - 25
B303 6306	Reverse Drive Shaft	19 - 8
B512 5310	Harness:Brushless Motor	29 - 23
H510 5001	Push Switch	31 - 12
H515 5054	Paper Size Sensor	29 - 3

Part No.	Description	Page and Index No.
AA00 0401	Decal - High Temperature	35 - 21
AA00 0401	Decal - High Temperature	31 - 28
AA04 3909	Timing Belt - B100S5M780	15 - 9
AA04 3910	Timing Belt - B100S5M435	11 - 8
AA04 3950	Timing Belt - S3M810	27 - 7
AA04 3951	Timing Belt - S3M1299	27 - 2
AA04 3952	Timing Belt - S3M420	27 - 20
AA06 0575	Release Spring	19 - 19
AA06 0813	Lock Spring	33 - 9
AA06 0814	Lock Spring	31 - 20
AA06 0817	Tighten Spring	15 - 18
AA06 0820	Release Spring	23 - 3
AA06 0830	Tighten Spring	29 - 20
AA06 0830	Tighten Spring	27 - 13
AA06 0834	Reverse Pressure Spring - 55gf	19 - 24
AA06 0924	Tension Spring:Pickup:Pressure Release	17 - 25
AA06 0925	Tension Spring:Pickup:Pressure	17 - 19
AA06 3605	Pressure Spring	29 - 11
AA06 3852	Pressure Spring	23 - 6
AA06 3852	Pressure Spring	21 - 4
AA06 3852	Pressure Spring	25 - 5
AA06 3852	Pressure Spring	19 - 4
AA08 0034	Bushing - 4x5x7	25 - 4
AA08 0034	Bushing - 4x5x7	21 - 5
AA08 0034	Bushing - 4x5x7	19 - 3
AA08 0034	Bushing - 4x5x7	23 - 5
AA08 2046	Bushing - 6x12x6	19 - 10
AA08 2070	Bushing - 8x16x7	23 - 12
AA08 2070	Bushing - 8x16x7	21 - 9
AA08 2070	Bushing - 8x16x7	17 - 14
AA08 2074	Bushing - M8	17 - 18
AA08 2096	Bushing - 8x12x7	15 - 13
AA08 2096	Bushing - 8x12x7	11 - 11
AA08 3015	Roller Clutch	17 - 21
AA10 0014	Retaining Ring C - Separate	19 - 15

Part No.	Description	Page and Index No.
AA10 0014	Retaining Ring C - Separate	17 - 12
AA14 0798	Drive Shaft	27 - 22
AA14 0799	Feed Roller Shaft	17 - 15
AA14 3037	Development Cover Screw	25 - 2
AA14 3037	Development Cover Screw	21 - 2
AA14 3074	Stepped Screw - M4x5	13 - 16
AA14 3074	Stepped Screw - M4x5	9 - 12
AA14 3403	Stepped Screw - 8x14x2.8	33 - 11
AB01 1391	Driven Reverse Gear - 21z	19 - 22
AB01 1392	Drive Reverse Gear - 24z	19 - 7
AB01 2829	Gear:Z25:Idler	27 - 6
AB01 3000	Idler Gear - 18z	17 - 23
AB01 3654	Gear - 30Z	27 - 24
AB01 3775	Gear - 33Z	19 - 13
AB01 3776	Gear - 30Z	19 - 11
AB01 4140	Gear - 24Z	15 - 12
AB01 4141	Pulley - 36Z/24T	27 - 17
AB01 4142	Pulley - 30Z/20T	27 - 21
AB01 4143	Pulley - 30Z/22T	27 - 9
AB01 4152	Gear - 32Z	23 - 22
AB01 4152	Gear - 32Z	17 - 3
AB03 0548	Pulley - 16T	15 - 10
AB03 0548	Pulley - 16T	11 - 9
AB03 0648	Timing Pulley - 27T	27 - 23
AB03 0649	Timing Pulley - 24T	27 - 8
AB03 0653	Pulley - 23T	27 - 1
AB03 0665	Idler Pulley - 18z	27 - 5
AB03 0665	Idler Pulley - 18z	29 - 17
AB03 0738	Timing Pulley:34t	29 - 14
AB03 3097	Timing Pulley:22t	27 - 3
AF02 0486	Transport Drive Roller	21 - 12
AF02 0487	Transport Drive Roller	25 - 9
AF02 0487	Transport Drive Roller	23 - 19
AF02 0488	Transport Drive Roller	23 - 15
AF02 0489	Transport Relay Roller	21 - 6

Part No.	Description	Page and Index No.
AF02 0489	Transport Relay Roller	25 - 6
AF02 0489	Transport Relay Roller	23 - 7
AF02 0489	Transport Relay Roller	19 - 5
AF02 0573	Transport Drive Roller	17 - 11
AF03 0080	Paper Feed Roller:Pickup	17 - 17
AF03 1081	Paper Feed Roller:Feed:Manual Feed	17 - 13
AF03 2080	Paper Feed Roller:Separate	19 - 16
AG05 0067	Knob - Transport Roller	31 - 4
AG07 1010	Magnet Catch	31 - 13
AH01 2014	Caster - 60kgf	33 - 17
AH01 3002	Leveling Shoe	33 - 16
AW01 0098	Photointerrupter - GP2A231LRSA	23 - 16
AW01 0098	Photointerrupter - GP2A231LRSA	17 - 8
AW02 0056	Photointerruptor - EE-SX4235A-P1	29 - 2
AW02 0056	Photointerruptor - EE-SX4235A-P1	17 - 6
AX04 0118	Lift Motor - DC 14W	29 - 10
AX06 0247	Brushless Motor:Transport-DC 24V	29 - 13
AX20 0176	Magnetic Clutch	17 - 22
AX21 0072	Electro Magnetic Clutch	29 - 7
AX21 0073	Electro Magnetic Clutch	17 - 24
AX40 0053	Anti-condensation Heater - 240V 18W	31 - 29

Part No.	Description	Page and Index No.
0313 0040B	Philips Pan Head Screw - M3x4	23 -103
0314 0040B	Philips Pan Head Screw - M4x4	15 -109
0314 0040B	Philips Pan Head Screw - M4x4	11 -108
0354 0060B	Screw - M4X6	11 -102
0354 0060B	Screw - M4X6	15 -104
0450 4008B	Tapping Screw - 4x8	7 -102
0450 4008B	Tapping Screw - 4x8	25 -101
0450 4010B	Tapping Screw - 4x10	15 -102
0450 4010B	Tapping Screw - 4x10	29 -102
0450 4014W	Tapping Screw - M4x14	11 -101
0450 4014W	Tapping Screw - M4x14	15 -101
0451 3008B	Tapping Screw - M3x8	11 -103
0451 3008B	Tapping Screw - M3x8	15 -105
0451 4008B	Philips Tapping Screw - M4x8	15 -103
0451 4008B	Philips Tapping Screw - M4x8	21 -101
0451 4008B	Philips Tapping Screw - M4x8	23 -101
0451 4008B	Philips Tapping Screw - M4x8	19 -101
0451 4008B	Philips Tapping Screw - M4x8	29 -101
0451 4008B	Philips Tapping Screw - M4x8	17 -101
0451 4008B	Philips Tapping Screw - M4x8	9 -101
0451 4008B	Philips Tapping Screw - M4x8	33 -102
0451 4008B	Philips Tapping Screw - M4x8	31 -101
0451 4008B	Philips Tapping Screw - M4x8	13 -101
0451 4008B	Philips Tapping Screw - M4x8	11 -104
0451 4008H	Tapping Screw - 4x8	9 -104
0451 4008H	Tapping Screw - 4x8	13 -103
0451 4008H	Tapping Screw - 4x8	7 -103
0451 4010B	Tapping Screw - 4x10	31 -102
0451 4012H	Tapping Screw - 4x12	7 -104
0453 4008B	Tapping Bind Screw - M4x8	31 -103
0453 4008B	Tapping Bind Screw - M4x8	33 -104
0573 0030E	Hexagon Headless Set Screw - M3x3	19 -109
0633 0140G	Parallel Pin - 3x14	15 -110
0633 0140G	Parallel Pin - 3x14	11 -109
0720 0030E	Retaining Ring - M3	25 -102

Part No.	Description	Page and Index No.
0720 0030E	Retaining Ring - M3	23 -105
0720 0030E	Retaining Ring - M3	19 -104
0720 0030E	Retaining Ring - M3	21 -103
0720 0040E	Retaining Ring - M4	19 -102
0720 0040E	Retaining Ring - M4	31 -105
0720 0050E	Retaining Ring - M5	29 -105
0720 0060E	Retaining Ring - M6	23 -104
0720 0060E	Retaining Ring - M6	25 -103
0720 0060E	Retaining Ring - M6	21 -102
0720 0060E	Retaining Ring - M6	27 -101
0720 0060E	Retaining Ring - M6	29 -104
0720 0060E	Retaining Ring - M6	19 -103
0720 0060E	Retaining Ring - M6	17 -102
0720 0060E	Retaining Ring - M6	15 -106
0720 0060E	Retaining Ring - M6	11 -107
0720 0060E	Retaining Ring - M6	31 -104
0720 0080E	Retaining Ring - M8	29 -108
0727 0080E	Retaining Ring - M8	29 -107
0740 3008	Ball Bearing - 8x22x7	27 -102
0741 3706	Ball Bearing - 6x10x3	19 -107
0741 3808	Ball Bearing - 8x16x5mm	29 -106
0801 0150	Philips Screw - M4x8	29 -103
0801 0150	Philips Screw - M4x8	7 -101
0802 5281	Tapping Screw - M4x6	9 -102
0802 5281	Tapping Screw - M4x6	11 -105
0802 5281	Tapping Screw - M4x6	15 -108
0802 5282	Tapping Screw - M4x8	11 -106
0802 5282	Tapping Screw - M4x8	13 -102
0802 5282	Tapping Screw - M4x8	15 -107
0802 5282	Tapping Screw - M4x8	9 -103
0802 5282	Tapping Screw - M4x8	23 -102
0802 5282	Tapping Screw - M4x8	33 -103
0805 0088	Retaining Ring - M6	17 -103
0805 3145	Ball Bearing - 6x12x4mm	19 -108
0805 3270	Ball Bearing - 8x16x5mm	31 -106

Part No.	Description	Page and Index No.
1102 6245	Relay Connector - 2P	19 -110
1102 6249	Relay Connector - 6P	31 -108
1102 6254	Connector - 11P	31 -107
1102 6259	Connector - 2P	19 -111
1105 0199	Clamp	19 -105
1105 0291	Harness Clamp - LWS-3S	29 -109
1105 0292	Wire Saddle	31 -110
1105 0310	Harness Clamp - LWS-1S	31 -109
1105 0358	Edge Saddle - EDS-0607M	25 -104
1105 0409	Card Spacer- 6.4mm	29 -112
1105 0488	Harness Clamp	29 -110
1105 0488	Harness Clamp	33 -101
1105 0489	Harness Clamp - LWS 1316	29 -111
1105 0511	Harness Clamp - LWS-0306ZC	29 -113
1105 0511	Harness Clamp - LWS-0306ZC	17 -104
1105 0511	Harness Clamp - LWS-0306ZC	19 -106
1105 0511	Harness Clamp - LWS-0306ZC	27 -103
1105 0511	Harness Clamp - LWS-0306ZC	25 -105

Part No.	Description	Page and Index No.
5215 2621	Snap Ring - M6	21 - 8
5215 2621	Snap Ring - M6	23 - 11
5424 1064	Screw Stand	33 - 15
5446 2560	Cushion - Paper Tray	31 - 23
5447 2681	Snap Ring	7 - 24
5447 2681	Snap Ring	27 - 15
5447 2706	Gear - 15T	17 - 16
6803 2273	Stepped Screw - M4	27 - 11

Part No.	Description	Page and Index No.